



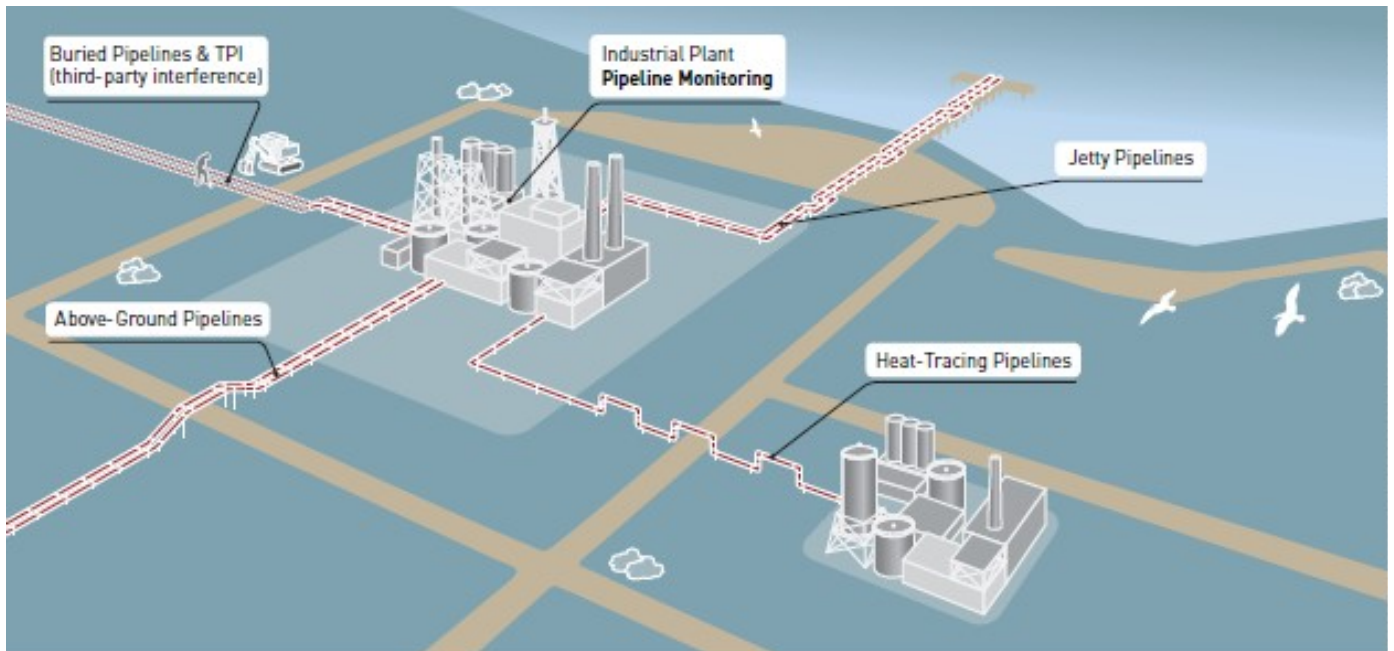
**SYBILLA Ltd.**  
*Managing Environment, Safety & Risk*

16 Ypsilandou, Maroussi GR 151 22 Athens, Greece  
Tel +30210-8024244 / Fax +30210-6141245  
e-mail : [mail@svbilla.gr](mailto:mail@svbilla.gr)

VAT No. EL 095487874



## **CAPABILITY STATEMENT PARTICIPATION IN NATURAL GAS INSTALLATIONS ENVIRONMENTAL IMPACTS AND SAFETY PROJECTS**



**SEPTEMBER 2020**



**SYBILLA Ltd.**  
*Managing Environment, Safety & Risk*

16 Ypsilandou, Maroussi GR 151 22 Athens, Greece  
Tel +30210-8024244 / Fax +30210-6141245  
e-mail : [mail@svbilla.gr](mailto:mail@svbilla.gr)

VAT No. EL 095487874



***Environmental Impact Assessment Study, Thermoelectric plant HERON  
THERMOELECTRIC Power: 435 MWe, Charaintini Municipality of Thiva***



<b>CONTRACTING ENTITY</b>	<b>HERON THERMOELECTRIC</b>
<b>CONTRACT PRICE</b>	<b>CONFIDENTIAL</b>
<b>YEAR</b>	<b>2000</b>
<b>PROJECT TYPE</b>	<b>ENVIRONMENTAL IMPACT ASSESSMENT STUDY A1 CATEGORY</b>
<b>LOCATION</b>	<b>ATHENS – THIVA</b>



**SYBILLA Ltd.**  
*Managing Environment, Safety & Risk*

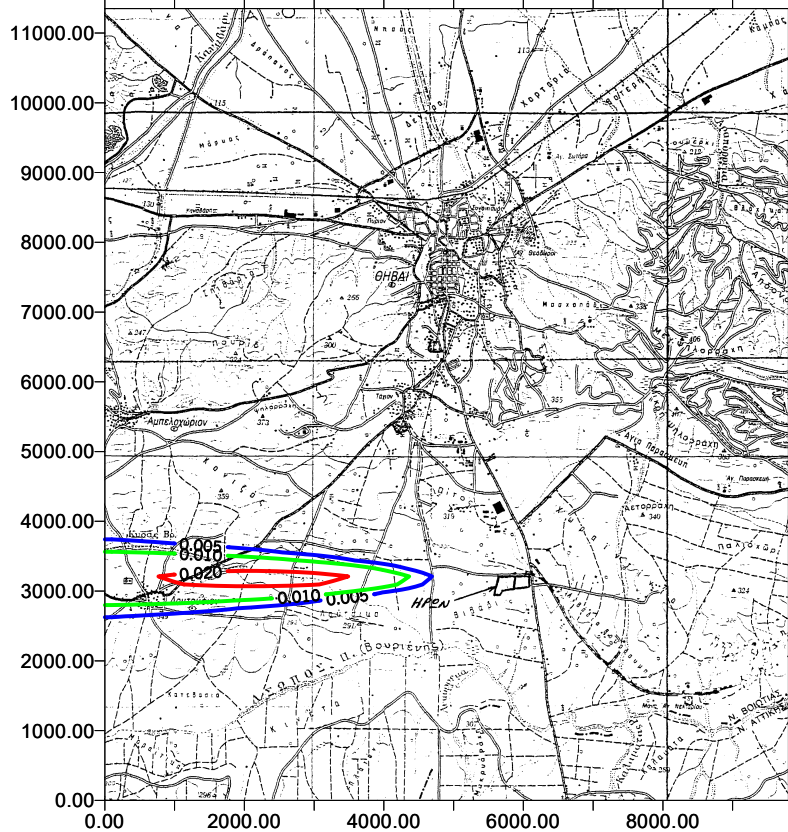
16 Ypsilandou, Maroussi GR 151 22 Athens, Greece  
 Tel +30210-8024244 / Fax +30210-6141245  
 e-mail : [mail@svbilla.gr](mailto:mail@svbilla.gr)

VAT No. EL 095487874



CERTIFIED M.S.  
 ISO 9001:2015  
 ISO 14001:2015

**Placement preparation and Environmental Impact for the HERON A.E Natural Gas thermoelectric plant in Thiva.**

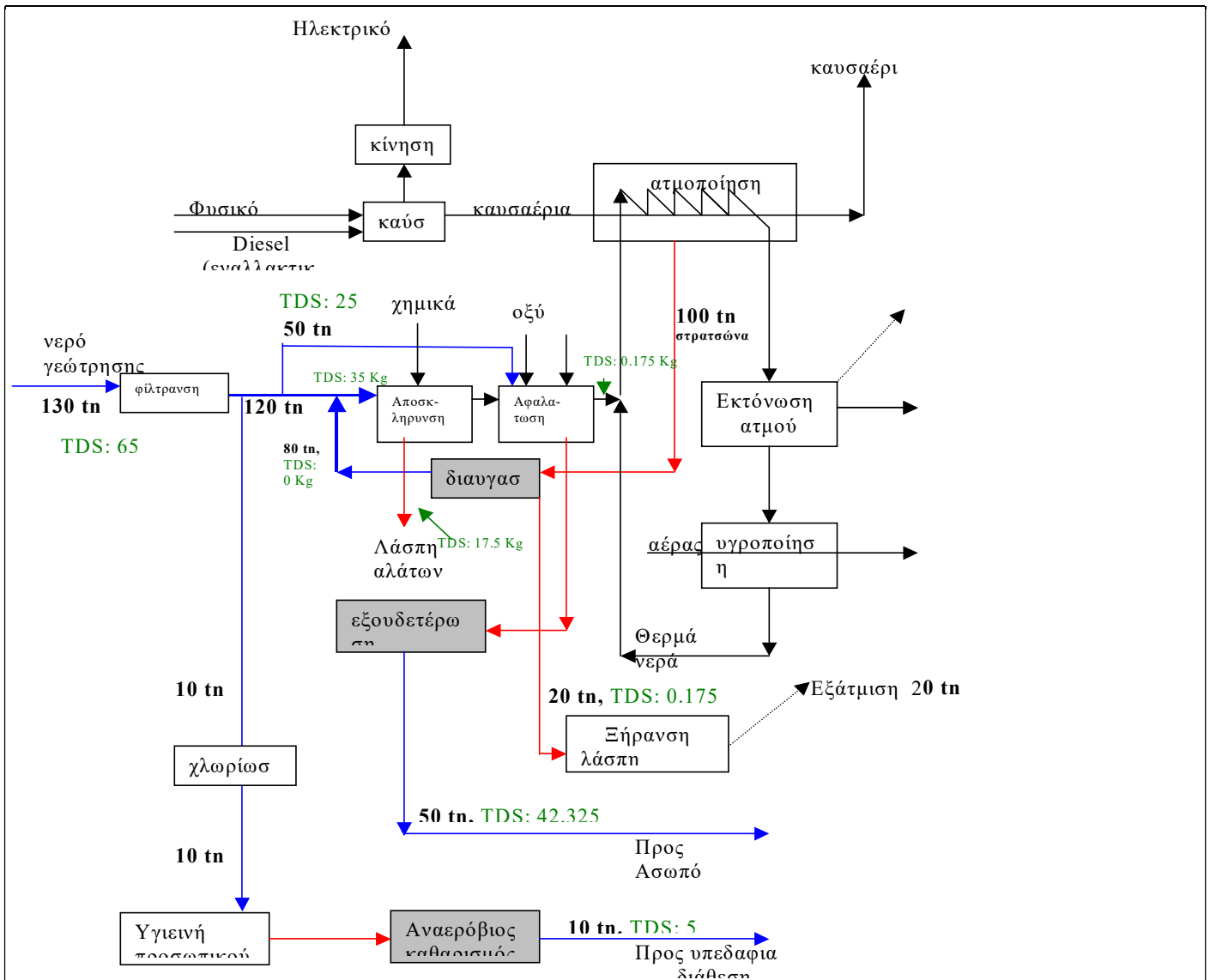


NOx 5m/s E, Stability D

Dispersion model results. Gas pollutant **NOx** ( $\mu\text{g}/\text{m}^3$ ).

Weather scenario East Wind 5 m/s. (Ευστάθεια D - Καμπύλες 0.005 - 0.01 - 0.02)

<b>CONTRACTING ENTITY</b>	<b>HERON THERMOELECTRIC</b>
<b>CONTRACT PRICE</b>	<b>CONFIDENTIAL</b>
<b>YEAR</b>	<b>2001</b>
<b>PROJECT TYPE</b>	<b>PLACEMENT PREPARATION AND ENVIRONMENTAL IMPACT STUDY</b>
<b>LOCATION</b>	<b>ATHENS – THIVA</b>



**Liquid Waste processing and disposal Study for the HERON A.E Natural Gas thermoelectric plant in Thiva.**

CONTRACTING ENTITY	HERON THERMOELECTRIC
CONTRACT PRICE	CONFIDENTIAL
YEAR	2001
PROJECT TYPE	LIQUID WASTE PROCESSING AND DISPOSAL STUDY
LOCATION	ATHENS – THIVA





**SYBILLA Ltd.**  
*Managing Environment, Safety & Risk*

16 Ypsilandou, Maroussi GR 151 22 Athens, Greece  
Tel +30210-8024244 / Fax +30210-6141245  
e-mail : [mail@svbilla.gr](mailto:mail@svbilla.gr)

VAT No. EL 095487874



***Environmental Impact Assessment Study, Thermoelectric plant HERON  
THERMOELECTRIC Power 150 (3 X 50) MWe, Charaintini Municipality of Thiva***



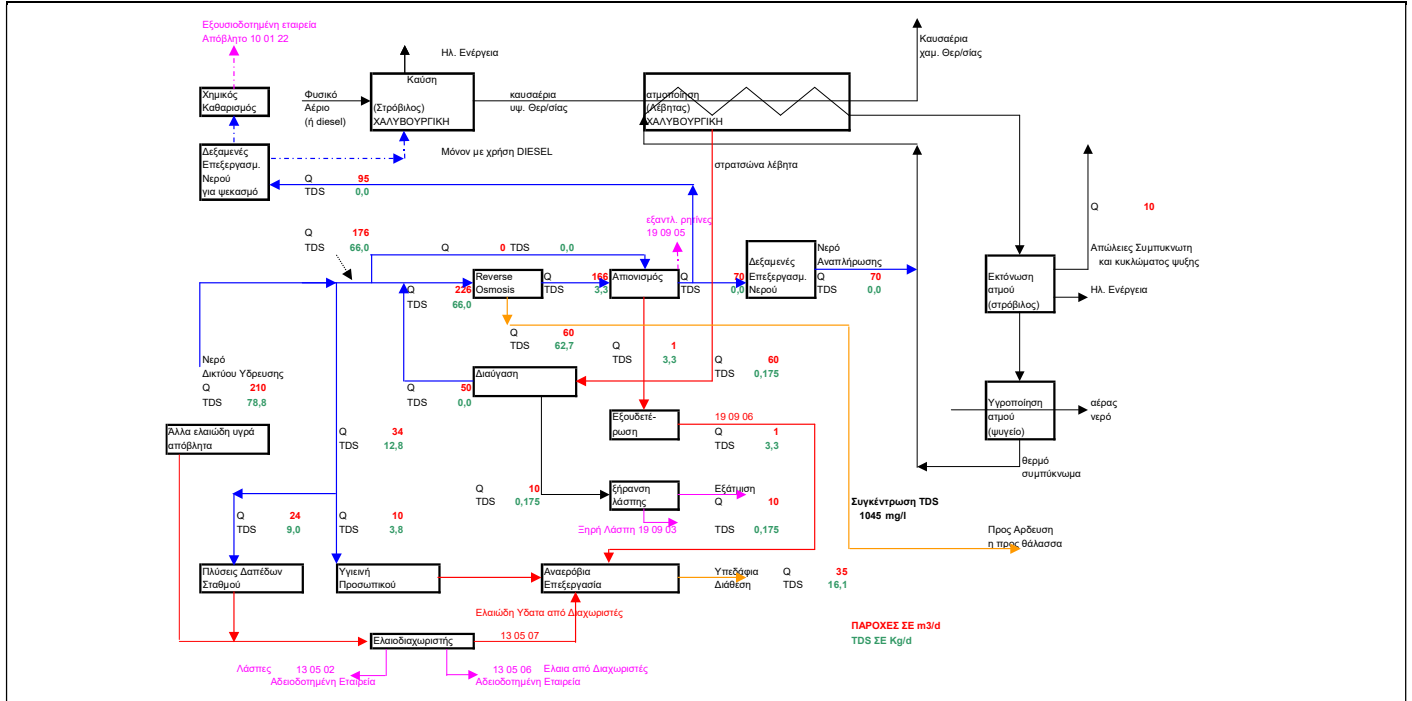
<b>CONTRACTING ENTITY</b>	<b>HERON THERMOELECTRIC</b>
<b>CONTRACT PRICE</b>	<b>CONFIDENTIAL</b>
<b>YEAR</b>	<b>2004</b>
<b>PROJECT TYPE</b>	<b>ENVIRONMENTAL IMPACT ASSESSMENT STUDY A1 CATEGORY</b>
<b>LOCATION</b>	<b>ATHENS – THIVA</b>



**SYBILLA Ltd.**  
*Managing Environment, Safety & Risk*

16 Ypsilandou, Maroussi GR 151 22 Athens, Greece  
 Tel +30210-8024244 / Fax +30210-6141245  
 e-mail : [mail@svbilla.gr](mailto:mail@svbilla.gr)

VAT No. EL 095487874



**Liquid Waste processing and disposal Study for the HALYVOURGIKI A.E Natural Gas thermoelectric plant in Aspropyrgos.**

<b>CONTRACTING ENTITY</b>	<b>HALYVOURGIKI AE</b>
<b>CONTRACT PRICE</b>	<b>CONFIDENTIAL</b>
<b>YEAR</b>	<b>2006</b>
<b>PROJECT TYPE</b>	<b>LIQUID WASTE PROCESSING AND DISPOSAL STUDY</b>
<b>LOCATION</b>	<b>ATHENS - ASPROPYRGOS</b>



**SYBILLA Ltd.**  
*Managing Environment, Safety & Risk*

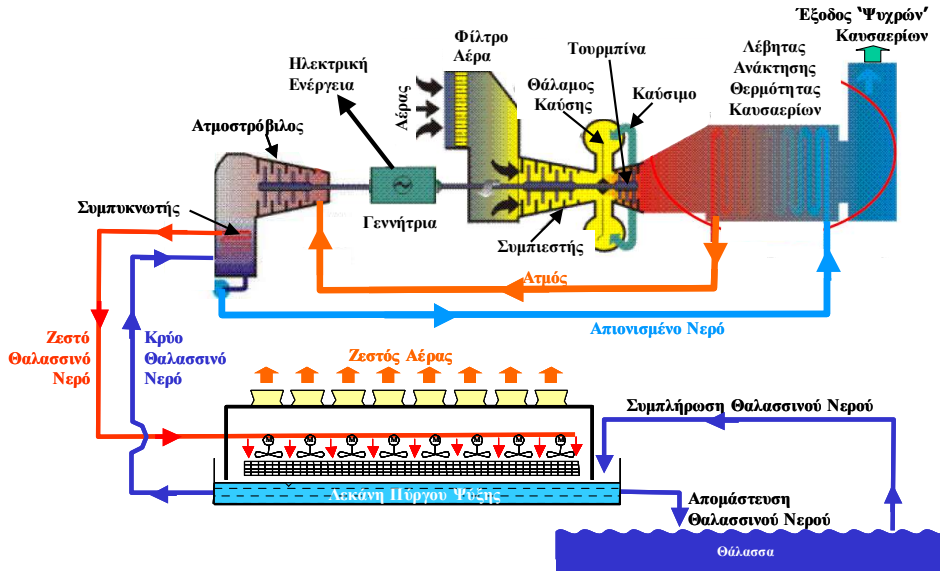
16 Ypsilandou, Maroussi GR 151 22 Athens, Greece  
 Tel +30210-8024244 / Fax +30210-6141245  
 e-mail : [mail@svbilla.gr](mailto:mail@svbilla.gr)

VAT No. EL 095487874



CERTIFIED M.S.  
 ISO 9001:2015  
 ISO 14001:2015

**Environmental Impact Assessment Study, Thermoelectric plant HALYVOURGIKI AE  
 Power 824 MWe, Aspropyrgos.**



Simplified Flow Chart

<b>CONTRACTING ENTITY</b>	<b>HALYVOURGIKI AE</b>
<b>CONTRACT PRICE</b>	<b>CONFIDENTIAL</b>
<b>YEAR</b>	<b>2006</b>
<b>PROJECT TYPE</b>	<b>ENVIRONMENTAL IMPACT ASSESSMENT STUDY</b>
<b>LOCATION</b>	<b>ATHENS - ASPROPYRGOS</b>



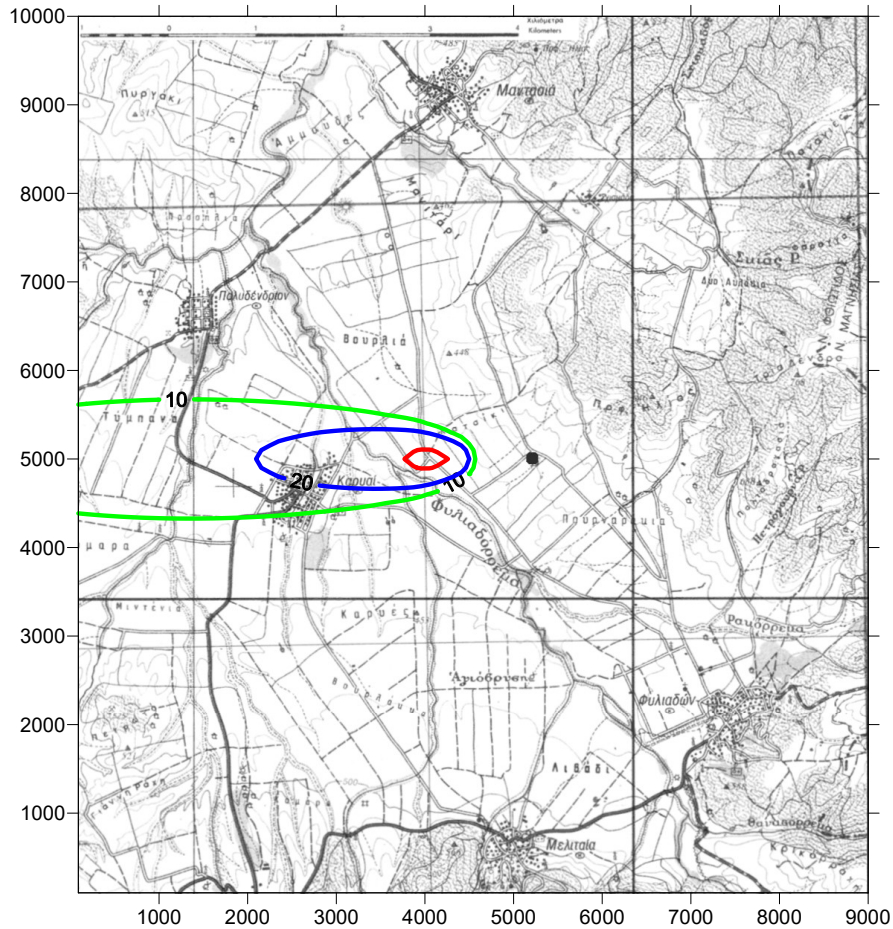
**SYBILLA Ltd.**  
*Managing Environment, Safety & Risk*

16 Ypsilandou, Maroussi GR 151 22 Athens, Greece  
 Tel +30210-8024244 / Fax +30210-6141245  
 e-mail : [mail@svbilla.gr](mailto:mail@svbilla.gr)

VAT No. EL 095487874



**Preliminary Gas pollutant SO<sub>2</sub>, NO<sub>x</sub> dispersion estimation, from the operation of the Natural Gas Plant Power 870 MWe in Karyes, Municipality of Domokos, Fthiotida Region.**



Dispersion mathematical model results, 1.5m from the ground. Gas pollutant NO<sub>x</sub>. (Limits for legislation 200 µg/m<sup>3</sup> NO<sub>2</sub>). Worst Weather Conditions Scenario **2**: East Wind, wind speed 2 m/s and atmosphere condition A (approx. 7.5% annually).

<b>CONTRACTING ENTITY</b>	<b>HERON AE</b>
<b>CONTRACT PRICE</b>	<b>CONFIDENTIAL</b>
<b>YEAR</b>	<b>2008</b>
<b>PROJECT TYPE</b>	<b>PRELIMINARY GAS POLLUTANT SO<sub>2</sub>, NO<sub>x</sub> DISPERSION ESTIMATION, FROM THE OPERATION OF THE NATURAL GAS PLANT POWER 870 MWE IN KARYES, MUNICIPALITY OF DOMOKOS, FTHIOTIDA REGION.</b>
<b>LOCATION</b>	<b>ATHENS - DOMOKOS</b>





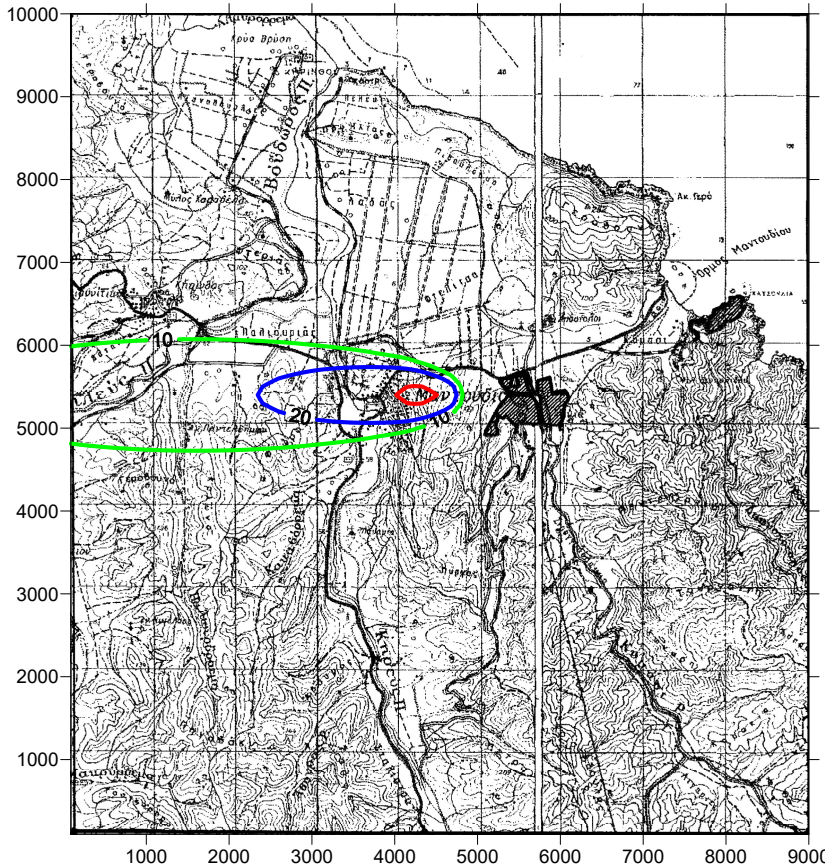
**SYBILLA Ltd.**  
*Managing Environment, Safety & Risk*

16 Ypsilandou, Maroussi GR 151 22 Athens, Greece  
 Tel +30210-8024244 / Fax +30210-6141245  
 e-mail : [mail@svbilla.gr](mailto:mail@svbilla.gr)

VAT No. EL 095487874



**PRELIMINARY GAS POLLUTANT SO<sub>2</sub>, NO<sub>x</sub> DISPERSION ESTIMATION, FROM THE OPERATION OF THE MANTOUDI NATURAL GAS PLANT POWER 870 MWE IN KIRES, EVOIA REGION.**



Dispersion mathematical model results, 1.5m from the ground. Gas pollutant NO<sub>x</sub>. (Limits for legislation 200 µg/m<sup>3</sup> NO<sub>2</sub>). Worst Weather Conditions Scenario 2: East Wind, wind speed 2 m/s and atmosphere condition A (approx. 0.9% annually). The emitted pollutants are going towards the city of Mantoudi, approx. 1,5 km West of the Natural Gas Plant 870 MWE. Concentration 10-20-40 µg/Nm<sup>3</sup>

<b>CONTRACTING ENTITY</b>	<b>HERON AE</b>
<b>CONTRACT PRICE</b>	<b>CONFIDENTIAL</b>
<b>YEAR</b>	<b>2008</b>
<b>PROJECT TYPE</b>	<b>PRELIMINARY GAS POLLUTANT SO<sub>2</sub>, NO<sub>x</sub> DISPERSION ESTIMATION, FROM THE OPERATION OF THE MANTOUDI NATURAL GAS PLANT POWER 870 MWE IN KIRES, EVOIA REGION.</b>
<b>LOCATION</b>	<b>ATHENS - EVOIA</b>



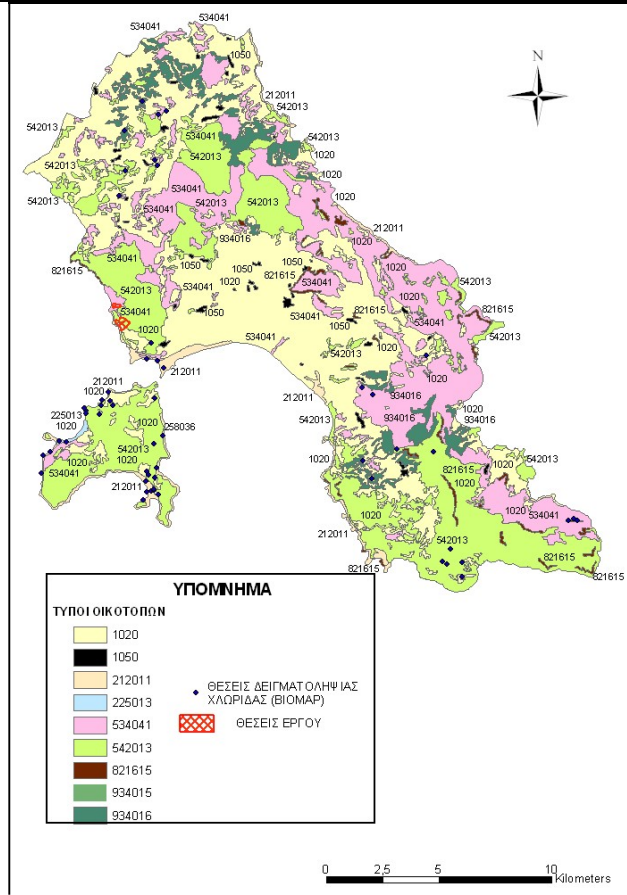
**SYBILLA Ltd.**  
*Managing Environment, Safety & Risk*

16 Ypsilandou, Maroussi GR 151 22 Athens, Greece  
Tel +30210-8024244 / Fax +30210-6141245  
e-mail : [mail@svbilla.gr](mailto:mail@svbilla.gr)

VAT No. EL 095487874



## ***ELECTRIC ENERGY PRODUCTION PLANT MUNICIPALITY VOIA IN LACONIA- PRELIMINARY ENVIRONMENTAL INVESTIGATION***



<b>CONTRACTING ENTITY</b>	<b>HERON AE / ENVECO A.E-SYBILLA LTD.</b>
<b>CONTRACT PRICE</b>	<b>CONFIDENTIAL</b>
<b>YEAR</b>	<b>2007</b>
<b>PROJECT TYPE</b>	<b>PRELIMINARY ENVIRONMENTAL INVESTIGATION</b>
<b>LOCATION</b>	<b>ATHENS – LAKONIA</b>



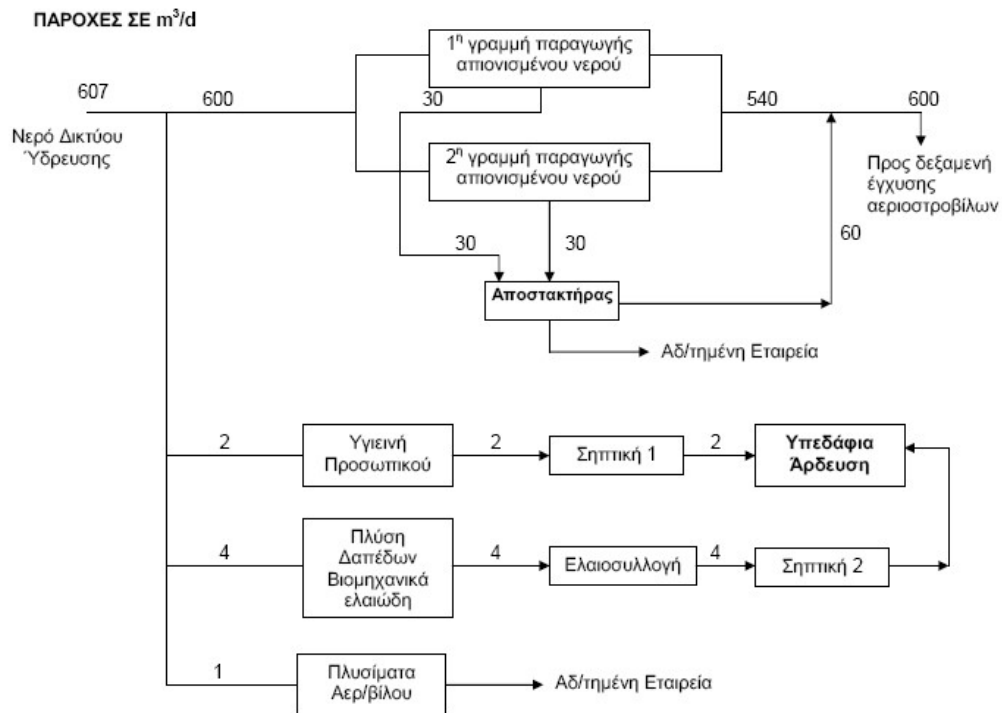
SYBILLA Ltd.  
Managing Environment, Safety & Risk

16 Ypsilandou, Maroussi GR 151 22 Athens, Greece  
Tel +30210-8024244 / Fax +30210-6141245  
e-mail : [mail@svbilla.gr](mailto:mail@svbilla.gr)

VAT No. EL 095487874



**Liquid Waste processing and disposal study for the BLUE AEGEAN ENERGY AE Thermolectric Natural Gas Plant 147,9 MWe , Agioi Theodoroi, Corinth.**

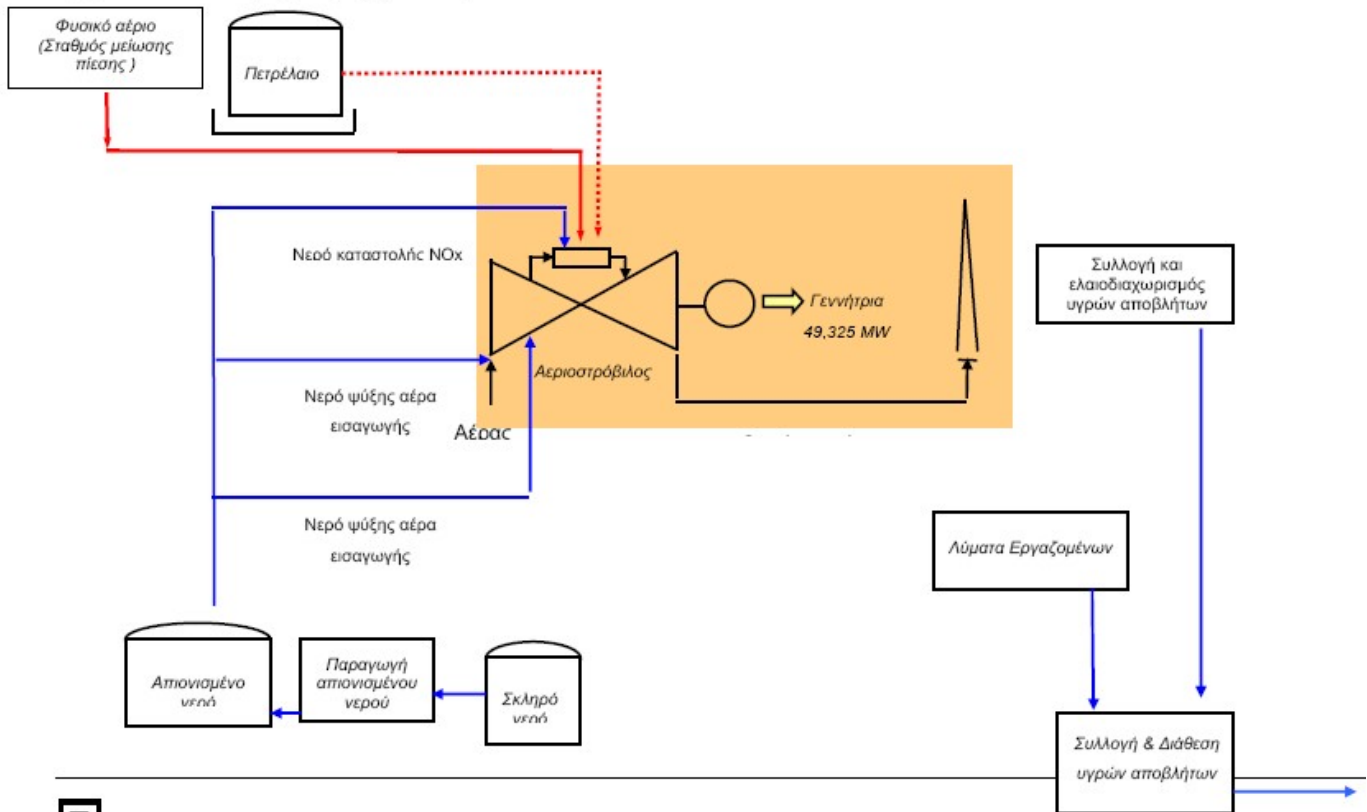


<b>CONTRACTING ENTITY</b>	<b>BLUE AEGEAN ENERGY AE</b>
<b>CONTRACT PRICE</b>	<b>CONFIDENTIAL</b>
<b>YEAR</b>	<b>2009</b>
<b>PROJECT TYPE</b>	<b>LIQUID WASTE PROCESSING AND DISPOSAL STUDY</b>
<b>LOCATION</b>	<b>ATHENS - CORINTH</b>



**Environmental Impact Assessment pre-study for the BLUE AEGEAN ENERGY AE Thermolectric Natural Gas Plant 147,9 MWe , Agioi Theodoroi, Corinth.**

Σχήμα 7.2.3.3: Διάγραμμα ροής μονάδας ανοικτού κύκλου 49,325 MW



CONTRACTING ENTITY	BLUE AEGEAN ENERGY AE
CONTRACT PRICE	CONFIDENTIAL
YEAR	2009
PROJECT TYPE	ENVIRONMENTAL IMPACT ASSESSMENT PRE-STUDY
LOCATION	ATHENS - CORINTH



SYBILLA Ltd.  
Managing Environment, Safety & Risk

16 Ypsilandou, Maroussi GR 151 22 Athens, Greece  
Tel +30210-8024244 / Fax +30210-6141245  
e-mail : [mail@svbilla.gr](mailto:mail@svbilla.gr)

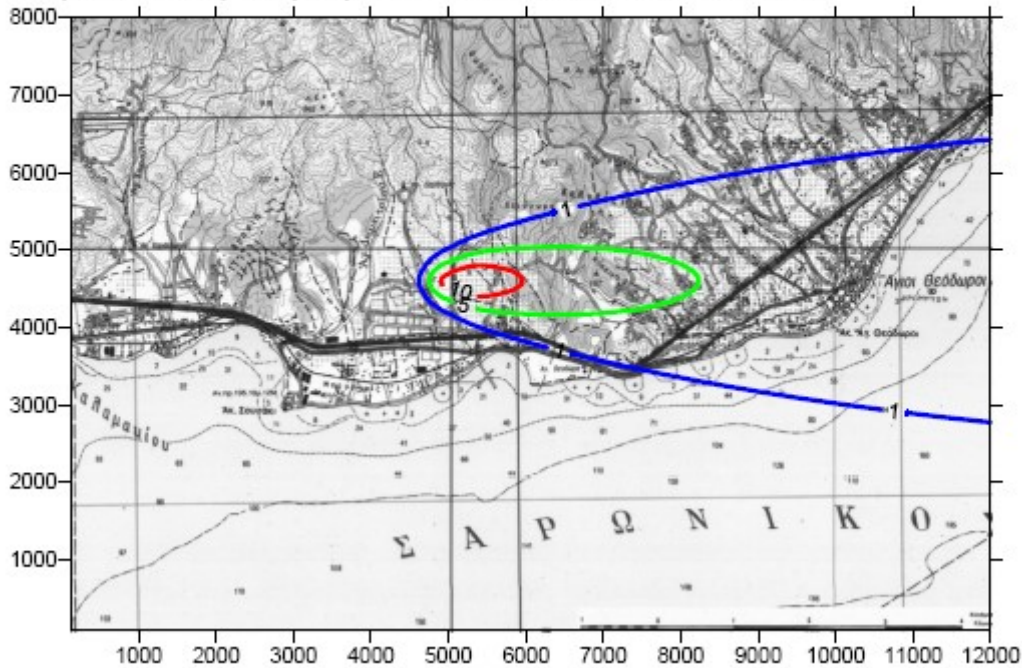
VAT No. EL 095487874



CERTIFIED M.S.  
ISO 9001:2015  
ISO 14001:2015

**Environmental Impact Assessment Study for the BLUE AEGEAN ENERGY AE Thermolectric Natural Gas Plant 147,9 MWe , Agioi Theodoroi, Corinth.**

**ΣΧΗΜΑ 7.8.6.9:** Αποτελέσματα Μαθηματικού Μοντέλου Διασποράς RAM σε ύψος 1.5m από το έδαφος. Ατμοσφαιρικός Ρύπος Αναφοράς NO<sub>x</sub>. (Νομοθετημένο Οριο 200 µg/m<sup>3</sup> NO<sub>2</sub>). Δυσμενές Μετεωρολογικό Σενάριο Αναφοράς **Σενάριο 3:** Άνεμος Δυτικής Διεύθυνσης, με ταχύτητα ανέμου 2 m/s και κατάσταση ατμόσφαιρας A (ποσοστό εμφάνισης περίπου 9.2% ετησίως). Αντιπροσωπεύει **Σενάριο Πλέον Δυσμενούς Ανέμου.** Ισοσυγκεντρωτικές Καμπύλες 1-5-10 µg/Nm<sup>3</sup>



<b>CONTRACTING ENTITY</b>	<b>BLUE AEGEAN ENERGY AE</b>
<b>CONTRACT PRICE</b>	<b>CONFIDENTIAL</b>
<b>YEAR</b>	<b>2010</b>
<b>PROJECT TYPE</b>	<b>ENVIRONMENTAL IMPACT ASSESSMENT STUDY</b>
<b>LOCATION</b>	<b>ATHENS - CORINTH</b>





**SYBILLA Ltd.**  
*Managing Environment, Safety & Risk*

16 Ypsilandou, Maroussi GR 151 22 Athens, Greece  
Tel +30210-8024244 / Fax +30210-6141245  
e-mail : [mail@svbilla.gr](mailto:mail@svbilla.gr)

VAT No. EL 095487874



***Design study, Combined cycle Gas Turbine  
Thermoelectric plant HERON THERMOELECTRIC Power: 435 MWe, Charaintini  
Municipality of Thiva***



<b>CONTRACTING ENTITY</b>	<b>HERON AE</b>
<b>CONTRACT PRICE</b>	<b>CONFIDENTIAL</b>
<b>YEAR</b>	<b>2009</b>
<b>PROJECT TYPE</b>	<b>DESIGN STUDY</b>
<b>LOCATION</b>	<b>ATHENS - THIVA</b>



**SYBILLA Ltd.**  
*Managing Environment, Safety & Risk*

16 Ypsilandou, Maroussi GR 151 22 Athens, Greece  
Tel +30210-8024244 / Fax +30210-6141245  
e-mail : [mail@svbilla.gr](mailto:mail@svbilla.gr)

VAT No. EL 095487874



***NEW SAFETY STUDY AND NEW SAFETY NOTIFICATION OF ALIVERI POWER PLANT.***



<b>CONTRACTING ENTITY</b>	<b>DEH/SYBILLA LTD.</b>
<b>CONTRACT PRICE</b>	<b>CONFIDENTIAL</b>
<b>YEAR</b>	<b>2017</b>
<b>PROJECT TYPE</b>	<b>SAFETY STUDY GOVERNMENT GAZETTE 354/B/17-2-2016 (DIRECTIVE 2012/18/EE -SEVESO III)</b>
<b>LOCATION</b>	<b>ATHENS – ALIVERI EVOIA</b>



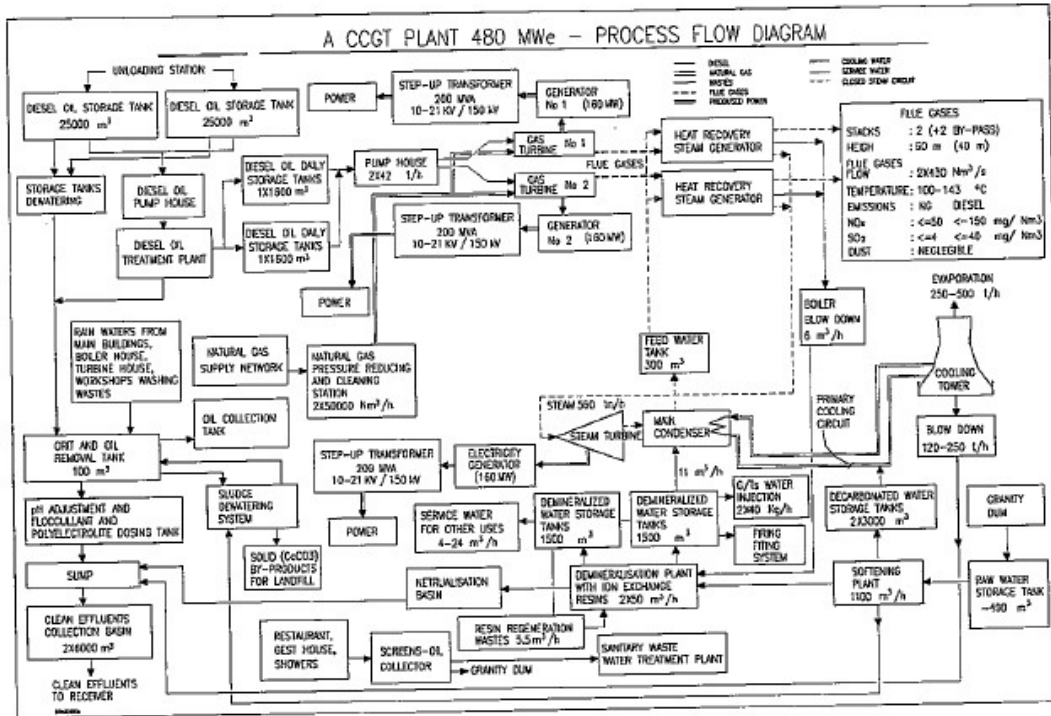
SYBILLA Ltd.  
Managing Environment, Safety & Risk

16 Ypsilandou, Maroussi GR 151 22 Athens, Greece  
Tel +30210-8024244 / Fax +30210-6141245  
e-mail : [mail@svbilla.gr](mailto:mail@svbilla.gr)

VAT No. EL 095487874



## SAFETY STUDY UPDATE AND NEW SAFETY NOTIFICATION OF KOMOTINI POWER PLANT.



<b>CONTRACTING ENTITY</b>	<b>DEH/SYBILLA LTD.</b>
<b>CONTRACT PRICE</b>	<b>CONFIDENTIAL</b>
<b>YEAR</b>	<b>2017</b>
<b>PROJECT TYPE</b>	<b>SAFETY STUDY GOVERNMENT GAZETTE 354/B/17-2-2016 (DIRECTIVE 2012/18/EE -SEVESO III)</b>
<b>LOCATION</b>	<b>ATHENS – KOMOTINI</b>





**SYBILLA Ltd.**  
*Managing Environment, Safety & Risk*

16 Ypsilandou, Maroussi GR 151 22 Athens, Greece  
 Tel +30210-8024244 / Fax +30210-6141245  
 e-mail : [mail@svbilla.gr](mailto:mail@svbilla.gr)

VAT No. EL 095487874



***FEED Study & Environmental Impact Assessment Study for the Natural Gas Pipeline interconnecting Greece and Bulgaria (IGB Project), ICGB AD Contract, No.C –17–2011  
 Environmental Impact Pre-Study – Greek Part / Preliminary Environmental Requirements Identification***



<b>CONTRACTING ENTITY</b>	<b>ICGB AD/ PENSPEN-C&amp;M/SYBILLA LTD.</b>
<b>CONTRACT PRICE</b>	<b>CONFIDENTIAL</b>
<b>YEAR</b>	<b>2011</b>
<b>PROJECT TYPE</b>	<b>ENVIRONMENTAL IMPACT ASSESSMENT PRE-STUDY</b>
<b>LOCATION</b>	<b>ATHENS – KOMOTINI</b>



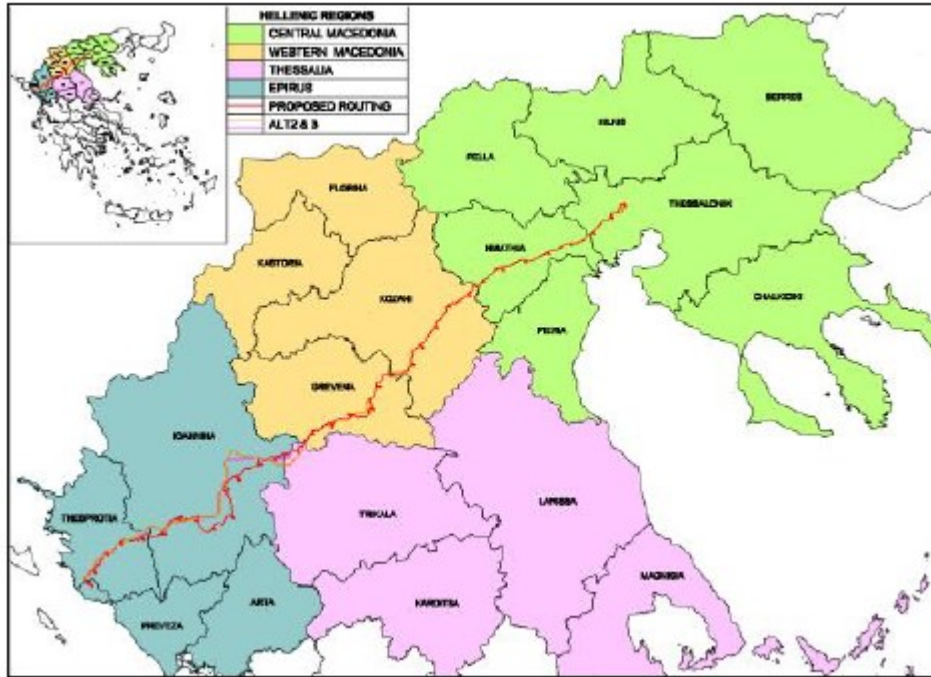
**SYBILLA Ltd.**  
*Managing Environment, Safety & Risk*

16 Ypsilandou, Maroussi GR 151 22 Athens, Greece  
 Tel +30210-8024244 / Fax +30210-6141245  
 e-mail : [mail@svbilla.gr](mailto:mail@svbilla.gr)

VAT No. EL 095487874



***Preliminary Study for the South Stream Project in the Greek Territory  
 Part II, N. Messimvria to Thesprotia, Environmental Impact Assessment Report***



<b>CONTRACTING ENTITY</b>	<b>DESFA/ PENSPEN-C&amp;M/SYBILLA LTD.</b>
<b>CONTRACT PRICE</b>	<b>CONFIDENTIAL</b>
<b>YEAR</b>	<b>2011</b>
<b>PROJECT TYPE</b>	<b>ENVIRONMENTAL IMPACT ASSESSMENT STUDY</b>
<b>LOCATION</b>	<b>ATHENS – CENTRAL MACEDONIA-WESTERN MACEDONIA-THESSALY-HEPIRUS</b>





SYBILLA Ltd.  
Managing Environment, Safety & Risk

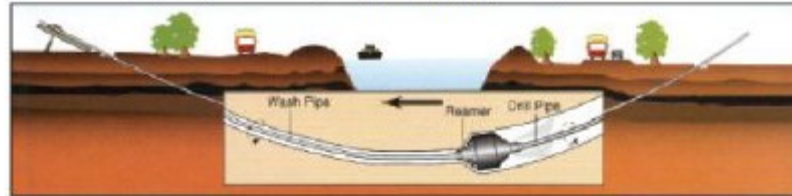
16 Ypsilandou, Maroussi GR 151 22 Athens, Greece  
Tel +30210-8024244 / Fax +30210-6141245  
e-mail : [mail@svbilla.gr](mailto:mail@svbilla.gr)

VAT No. EL 095487874

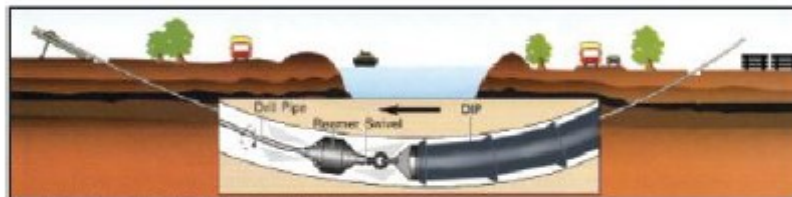


## High Pressure Natural Gas Pipeline Ag. Theodoiroi – DEH Megalopoli. Environmental Impact Assessment Pre-Study

Διαδικασία Οριζόντιας Κατευθυνόμενης Διάτρησης (H.D.D.)



PRE-REAMING



PULL-BACK

Schematics are courtesy of the Directional Drilling Contractors Association

Πανοραμική άποψη της Διώρυγας του Ισθμού της Κορίνθου στο σημείο της μελλοντικής διέλευσης του αγωγού φυσικού αερίου.



CONTRACTING ENTITY	DESFA/ PENSPEN-C&M/SYBILLA LTD.
CONTRACT PRICE	CONFIDENTIAL
YEAR	2011
PROJECT TYPE	ENVIRONMENTAL IMPACT ASSESSMENT PRE-STUDY
LOCATION	ATHENS – PELOPONNISOS



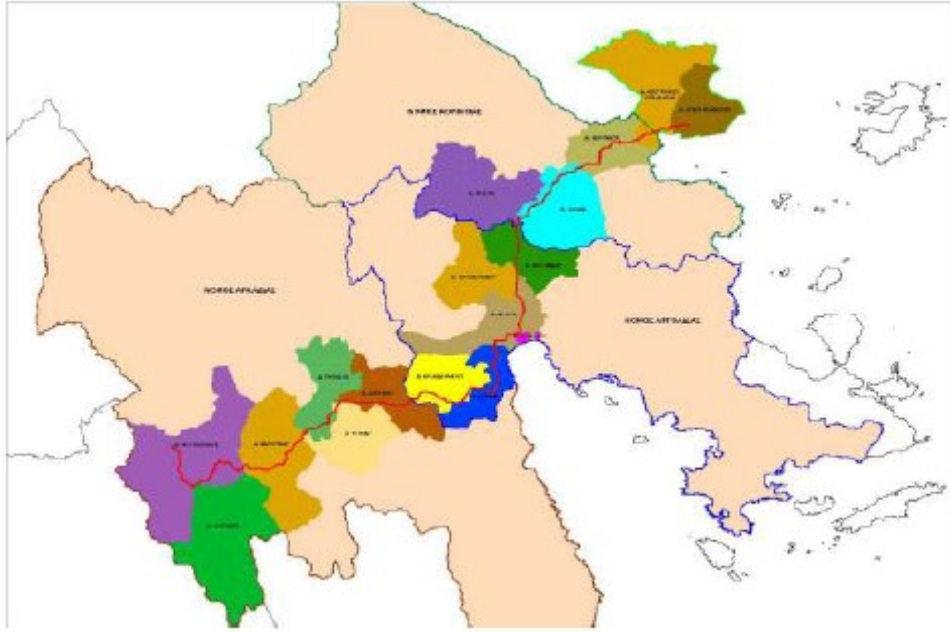
**SYBILLA Ltd.**  
*Managing Environment, Safety & Risk*

16 Ypsilandou, Maroussi GR 151 22 Athens, Greece  
Tel +30210-8024244 / Fax +30210-6141245  
e-mail : [mail@svbilla.gr](mailto:mail@svbilla.gr)

VAT No. EL 095487874



***High Pressure Natural Gas Pipeline Ag. Theodoiroi – DEH Megalopoli.  
Environmental Impact Assessment Study***



<b>CONTRACTING ENTITY</b>	<b>DESFA/ PENSPEN-C&amp;M/SYBILLA LTD.</b>
<b>CONTRACT PRICE</b>	<b>CONFIDENTIAL</b>
<b>YEAR</b>	<b>2011</b>
<b>PROJECT TYPE</b>	<b>ENVIRONMENTAL IMPACT ASSESSMENT STUDY</b>
<b>LOCATION</b>	<b>ATHENS – PELOPONNISOS</b>



SYBILLA Ltd.  
Managing Environment, Safety & Risk

16 Ypsilandou, Maroussi GR 151 22 Athens, Greece  
Tel +30210-8024244 / Fax +30210-6141245  
e-mail : [mail@svbilla.gr](mailto:mail@svbilla.gr)

VAT No. EL 095487874



**High Pressure Natural Gas Pipeline Ag. Theodoiroi – DEH Megalopoli, alteration of pipeline routing from X.Θ. 30+356,02 to X.Θ. 66+440,26 Argolida Region, due to a request from the local community**  
**Supplementary Environmental Impact Assessment Study**



CONTRACTING ENTITY	DESFA/ PENSPEN-C&M/SYBILLA LTD.
CONTRACT PRICE	CONFIDENTIAL
YEAR	2011
PROJECT TYPE	SUPPLEMENTARY ENVIRONMENTAL IMPACT ASSESSMENT STUDY
LOCATION	ATHENS – PELOPONNISOS



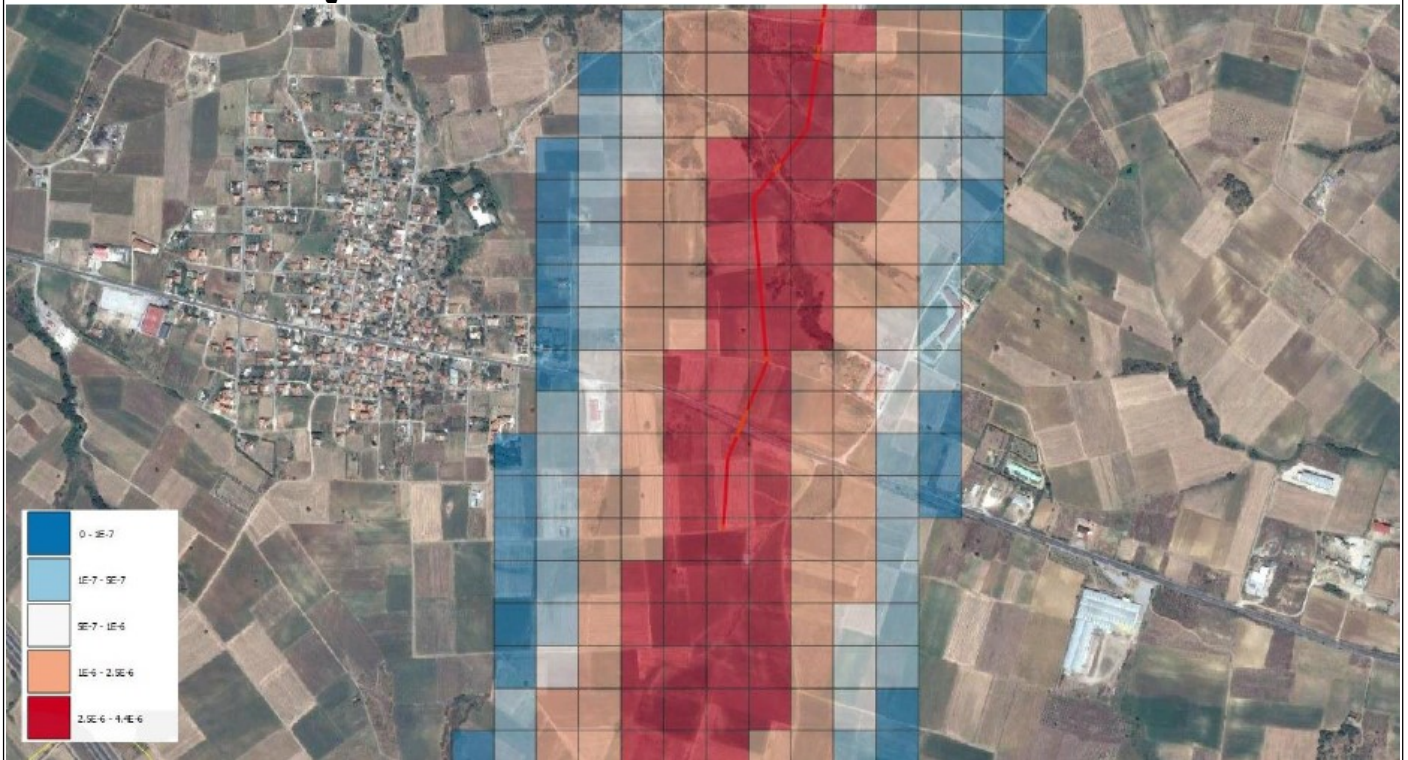
**SYBILLA Ltd.**  
*Managing Environment, Safety & Risk*

16 Ypsilandou, Maroussi GR 151 22 Athens, Greece  
Tel +30210-8024244 / Fax +30210-6141245  
e-mail : [mail@svbilla.gr](mailto:mail@svbilla.gr)

VAT No. EL 095487874



***FEED Study & Environmental Impact Assessment for the Natural Gas pipeline interconnection between Greece and Bulgaria (IGB)  
Quantitative Risk Assessment for the Greek Part***



<b>CONTRACTING ENTITY</b>	<b>SYBILLA LTD.</b>
<b>CONTRACT PRICE</b>	<b>CONFIDENTIAL</b>
<b>YEAR</b>	<b>2017</b>
<b>PROJECT TYPE</b>	<b>QUANTITATIVE RISK ASSESSMENT</b>
<b>LOCATION</b>	<b>ATHENS – EASTERN MACEDONIA</b>





**SYBILLA Ltd.**  
*Managing Environment, Safety & Risk*

16 Ypsilandou, Maroussi GR 151 22 Athens, Greece  
Tel +30210-8024244 / Fax +30210-6141245  
e-mail : [mail@svbilla.gr](mailto:mail@svbilla.gr)

VAT No. EL 095487874



***M/R Station construction for the interconnection between NGTS and TAP in Nea Mesimvria.  
Environmental and Social Impact Assessment Study***



<b>CONTRACTING ENTITY</b>	<b>SYBILLA LTD.</b>
<b>CONTRACT PRICE</b>	<b>CONFIDENTIAL</b>
<b>YEAR</b>	<b>2017</b>
<b>PROJECT TYPE</b>	<b>ENVIRONMENTAL AND SOCIAL IMPACT ASSESSMENT STUDY</b>
<b>LOCATION</b>	<b>ATHENS – CENTRAL MACEDONIA</b>





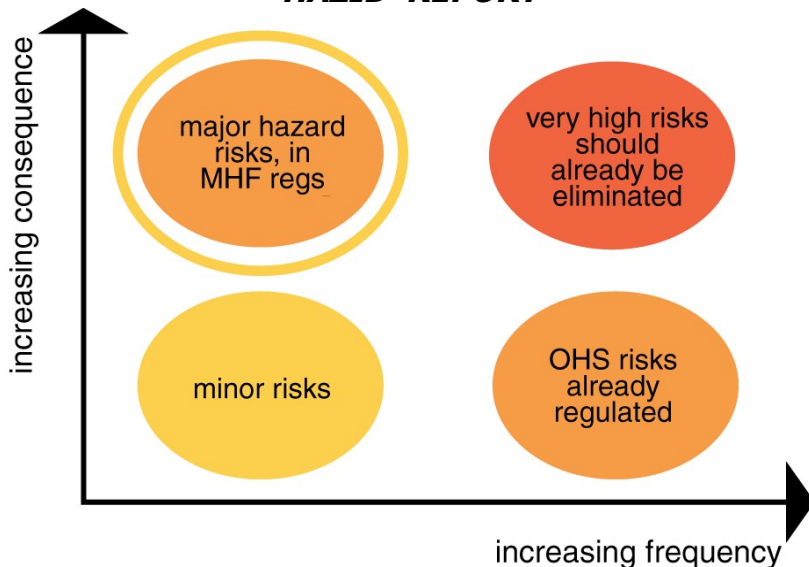
**SYBILLA Ltd.**  
*Managing Environment, Safety & Risk*

16 Ypsilandou, Maroussi GR 151 22 Athens, Greece  
 Tel +30210-8024244 / Fax +30210-6141245  
 e-mail : [mail@svbilla.gr](mailto:mail@svbilla.gr)

VAT No. EL 095487874



**BASIC ENGINEERING DESIGN FOR THE INTERCONNECTION BETWEEN TAP AND NGTS PIPELINES AT NEA MESSIMVRIA  
 HAZID REPORT**

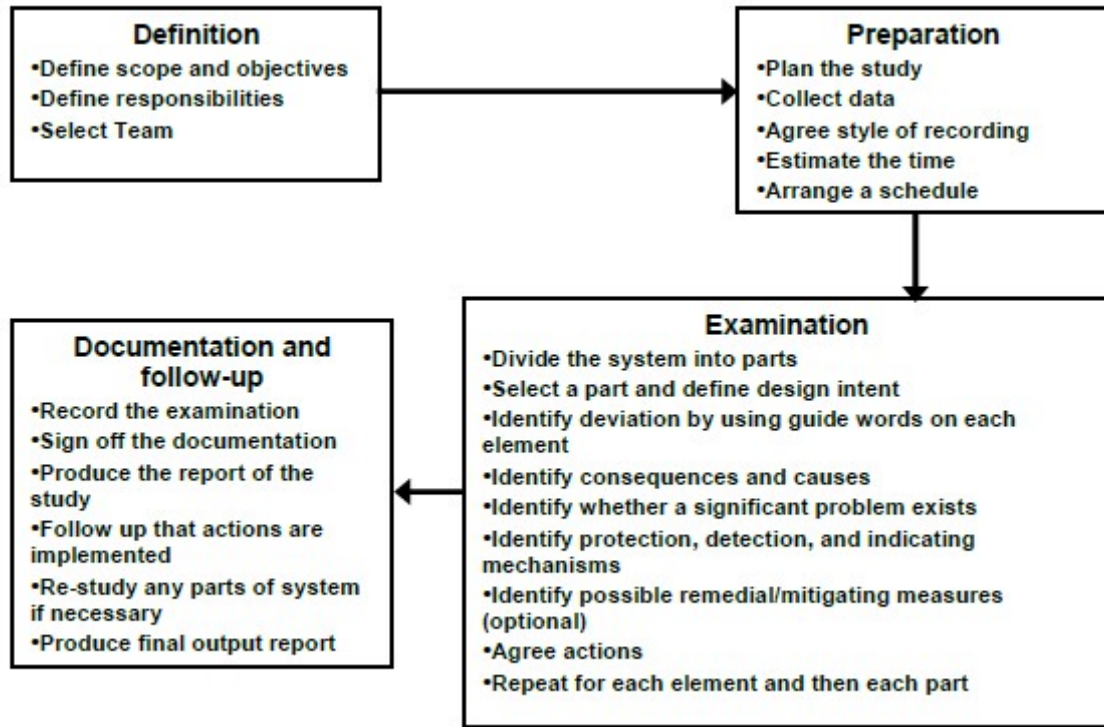


the focus of the major hazard facilities regulations is on the high consequence / low frequency incidents

<b>CONTRACTING ENTITY</b>	<b>C&amp;M/SYBILLA LTD.</b>
<b>CONTRACT PRICE</b>	<b>CONFIDENTIAL</b>
<b>YEAR</b>	<b>2017</b>
<b>PROJECT TYPE</b>	<b>HAZID REPORT</b>
<b>LOCATION</b>	<b>ATHENS – CENTRAL MACEDONIA</b>
<b>DESCRIPTION</b>	<p>A HAZID study is a tool for hazard identification, used early in a project as soon as process flow diagrams, draft heat and mass balances, and plot layouts are available. Existing site infrastructure, weather, and geotechnical data are also required, these being a source of external hazards. The method is a design-enabling tool, acting to help organize the HSE deliverables in a project.</p> <p>The scope of this study includes the following:</p> <ul style="list-style-type: none"> <li>• The pipeline and all stations (line valve, pigging and metering)</li> <li>• HAZID covers normal operation mode as well as start-up, shutdown, and Simulations Operations (SIMOPS)</li> <li>• Identify credible hazards</li> <li>• Identify the consequences of the hazards</li> <li>• Identify existing safeguards in place (prevention &amp; mitigation)</li> </ul>



**BASIC ENGINEERING DESIGN FOR THE INTERCONNECTION BETWEEN TAP AND NGTS PIPELINES AT NEA MESSIMVRIA  
HAZOP REPORT**



<b>CONTRACTING ENTITY</b>	<b>C&amp;M/SYBILLA LTD.</b>
<b>CONTRACT PRICE</b>	<b>CONFIDENTIAL</b>
<b>YEAR</b>	<b>2017</b>
<b>PROJECT TYPE</b>	<b>HAZOP REPORT</b>
<b>LOCATION</b>	<b>ATHENS – CENTRAL MACEDONIA</b>
<b>DESCRIPTION</b>	<p>A Hazard and Operability Study (HAZOP) is a well-established and structured team-based method of identifying hazards at the point of process design completion, or when new modifications are being planned.</p> <p>The HAZard and OPERability study (HAZOP) objectives were as follows:</p> <ul style="list-style-type: none"> <li>• To systematically review the design and operation of the facilities in the scope of study;</li> <li>• To identify potential Hazards with the design or operability of the facilities;</li> <li>• To record existing design or operational safeguards and make recommendations for further design or operational actions that will eliminate or reduce the risk of the identified hazards.</li> </ul> <p>The facilities were broken down into relevant sections (nodes) to allow the team to consider only deviations from the proposed design intent for that section of the facilities.</p>



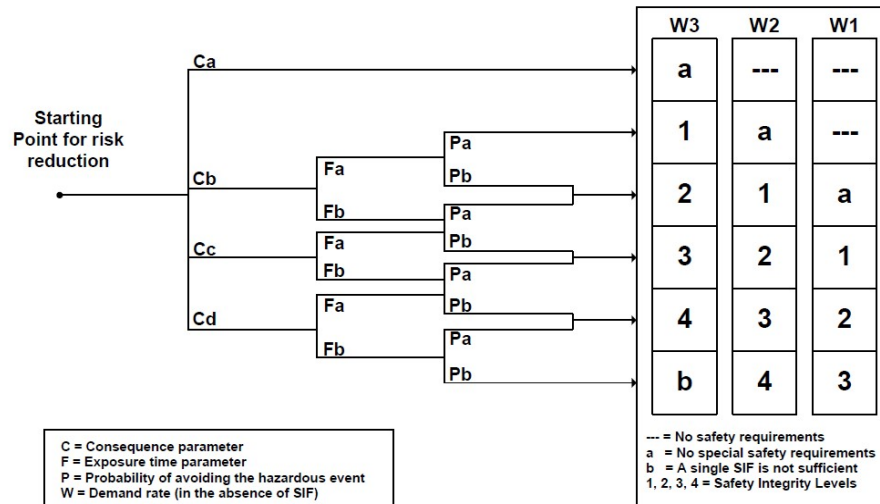
SYBILLA Ltd.  
Managing Environment, Safety & Risk

16 Ypsilandou, Maroussi GR 151 22 Athens, Greece  
Tel +30210-8024244 / Fax +30210-6141245  
e-mail : [mail@svbilla.gr](mailto:mail@svbilla.gr)

VAT No. EL 095487874



**BASIC ENGINEERING DESIGN FOR THE INTERCONNECTION BETWEEN TAP AND NGTS PIPELINES AT NEA MESSIMVRIA SIL REPORT**



C = Consequence parameter  
F = Exposure time parameter  
P = Probability of avoiding the hazardous event  
W = Demand rate (in the absence of SIF)

<b>CONTRACTING ENTITY</b>	<b>C&amp;M/SYBILLA LTD.</b>
<b>CONTRACT PRICE</b>	<b>CONFIDENTIAL</b>
<b>YEAR</b>	<b>2017</b>
<b>PROJECT TYPE</b>	<b>SIL REPORT</b>
<b>LOCATION</b>	<b>ATHENS – CENTRAL MACEDONIA</b>
<b>DESCRIPTION</b>	<p>The primary objective of the SIL study will be to identify failures in Electrical/ Electronic /Programmable Electronic (E/E/PE) safety related control systems in each process which have the potential for harm to personnel (through illness and injury or loss of life) or to the environment (temporary or permanent) or economical. The safety and environmental harm will generally arise due to loss of containment from the process. It is implemented for each hazardous event throughout the SIL Assessment is as follows:</p> <ul style="list-style-type: none"> <li>• Identify and describe each hazardous event from the latest HAZOP report;</li> <li>• List the appropriate control and mitigation methods;</li> <li>• Identify an associated Safety Instrumented Function (SIF);</li> <li>• Deduce the integrity level target for Safety, Environmental and Financial Impact using the Risk Graph for the hazardous scenario. Participants at the SIL session should provide an input of Consequence Severity, exposure to personnel and the likelihood to advert the hazardous scenario being realized;</li> <li>• Determine the overall SIL requirement (i.e. the greater of the three integrity level numbers from Safety, Environmental and Financial Impact should be taken);</li> <li>• Repeat this procedure for the next hazardous scenario.</li> </ul>



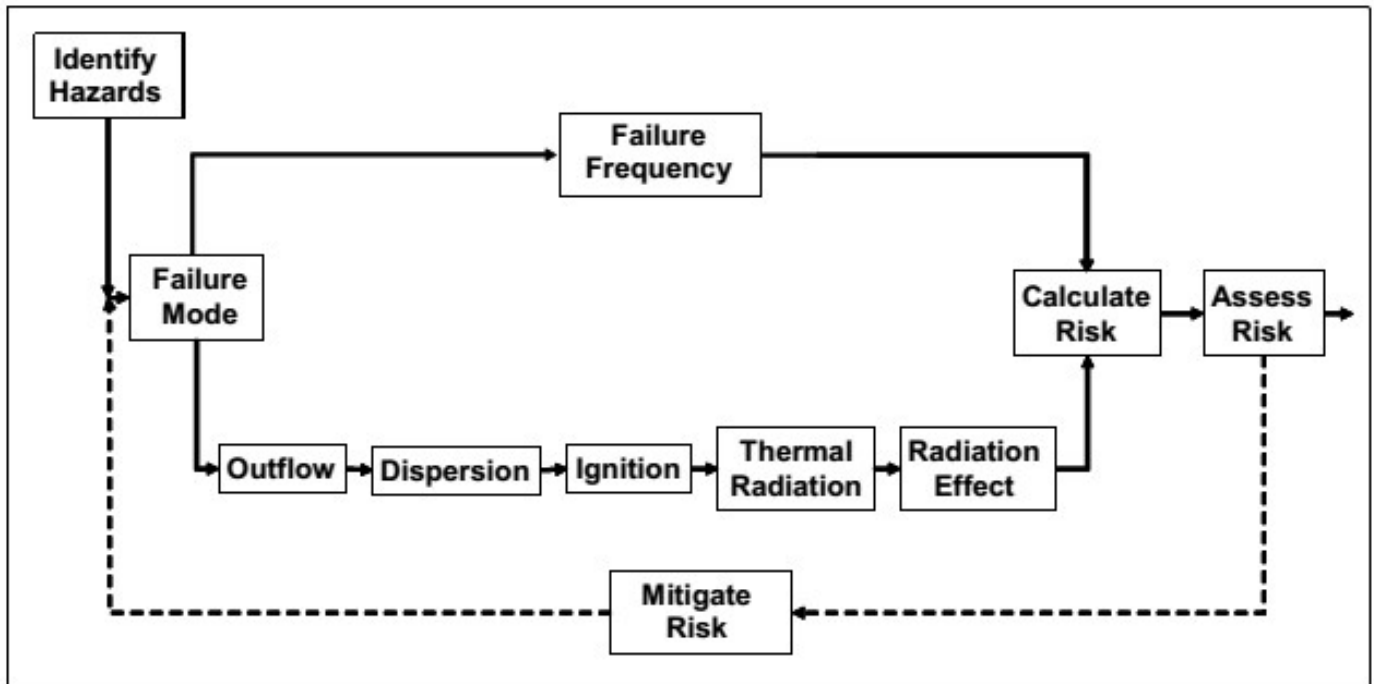
SYBILLA Ltd.  
Managing Environment, Safety & Risk

16 Ypsilandou, Maroussi GR 151 22 Athens, Greece  
Tel +30210-8024244 / Fax +30210-6141245  
e-mail : [mail@svbilla.gr](mailto:mail@svbilla.gr)

VAT No. EL 095487874



**BASIC ENGINEERING DESIGN FOR THE INTERCONNECTION BETWEEN TAP AND NGTS PIPELINES AT NEA MESSIMVRIA  
QUANTITATIVE RISK ASSESSMENT**



CONTRACTING ENTITY	C&M/SYBILLA LTD.
CONTRACT PRICE	CONFIDENTIAL
YEAR	2017
PROJECT TYPE	QUANTITATIVE RISK ASSESSMENT REPORT
LOCATION	ATHENS – CENTRAL MACEDONIA
DESCRIPTION	This report represents the methodology and results of the QRA, and concludes that individual risk levels on the pipeline at the assessed location are less than the Greek Technical Regulation limit of $1 \times 10^{-6}$ per year.



**SYBILLA Ltd.**  
*Managing Environment, Safety & Risk*

16 Ypsilandou, Maroussi GR 151 22 Athens, Greece  
 Tel +30210-8024244 / Fax +30210-6141245  
 e-mail : [mail@svbilla.gr](mailto:mail@svbilla.gr)

VAT No. EL 095487874

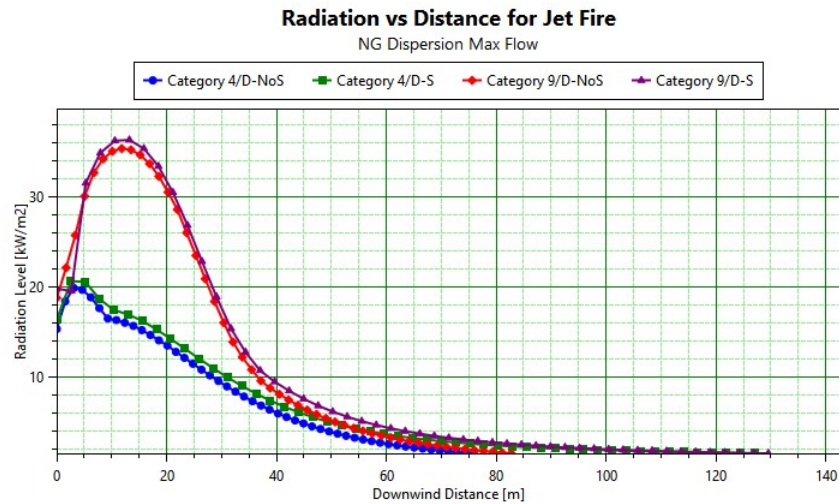


CERTIFIED M.S.  
 ISO 9001:2015  
 ISO 14001:2015

## **BASIC ENGINEERING DESIGN FOR THE INTERCONNECTION BETWEEN TAP AND NGTS PIPELINES AT NEA MESSIMVRIA**

### **VENTING CALCULATIONS REPORT**

Audit Number	13538
Equipment	CH4
Material	METHANE
Program	Phast 7.2
Scenario	NG Dispersion Max Flow
Workspace	TAP_Dispersion_fi n



<b>CONTRACTING ENTITY</b>	<b>C&amp;M/SYBILLA LTD.</b>
<b>CONTRACT PRICE</b>	<b>CONFIDENTIAL</b>
<b>YEAR</b>	<b>2018</b>
<b>PROJECT TYPE</b>	<b>VENTING CALCULATIONS REPORT</b>
<b>LOCATION</b>	<b>ATHENS</b>
<b>DESCRIPTION</b>	<b>Natural Gas Dispersion and Heat Radiation Study for pipeline venting. Use of PHAST software for ten cases</b>





**SYBILLA Ltd.**  
*Managing Environment, Safety & Risk*

16 Ypsilandou, Maroussi GR 151 22 Athens, Greece  
 Tel +30210-8024244 / Fax +30210-6141245  
 e-mail : [mail@svbilla.gr](mailto:mail@svbilla.gr)

VAT No. EL 095487874

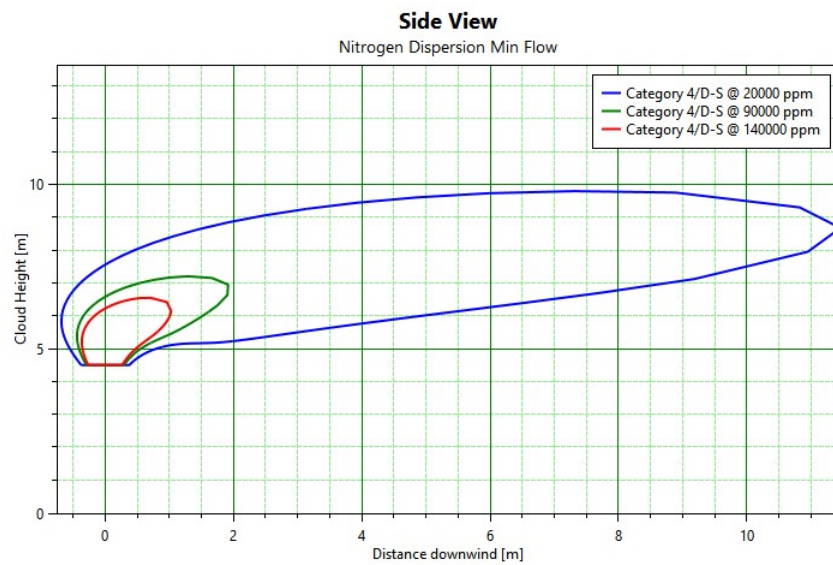


CERTIFIED M.S.  
 ISO 9001:2015  
 ISO 14001:2015

**ΟΡΙΣΤΙΚΗ ΜΕΛΕΤΗ ΚΑΙ ΠΑΡΟΧΗ ΥΠΗΡΕΣΙΩΝ ΑΔΕΙΟΔΟΤΗΣΗΣ ΓΙΑ ΤΟ ΧΕΡΣΑΙΟ  
 ΤΜΗΜΑ ΤΟΥ ΑΓΩΓΟΥ ΠΟΣΕΙΔΩΝ  
 (FRONT END ENGINEERING & DESIGN AND PERMITTING FOR THE POSEIDON  
 PIPELINE PROJECT - ONSHORE SECTION)  
 ΥΠΟΘΑΛΑΣΙΟΣ ΑΓΩΓΟΣ ΦΥΣΙΚΟΥ ΑΕΡΙΟΥ ΕΛΛΑΔΑΣ-ΙΤΑΛΙΑΣ ΠΟΣΕΙΔΩΝ Α.Ε. (IGI  
 POSEIDON S.A.)**

**RISK EVALUATION REPORT**

Audit Number	9086	✕
Averaging time	User-defined (60 s)	
Equipment	N2	
Material	NITROGEN	
Reference	NITROGEN	
Offset Distance	0 m	
Program	Phast 7.2	
Scenario	Nitrogen Dispersion Min Flow	
Time (Category 4/D-S)	3.2409 s	
Weather	Category 4/D-S	
Workspace	TAP_Dispersion	



<b>CONTRACTING ENTITY</b>	<b>C&amp;M/SYBILLA LTD.</b>
<b>CONTRACT PRICE</b>	<b>CONFIDENTIAL</b>
<b>YEAR</b>	<b>2018</b>
<b>PROJECT TYPE</b>	<b>RISK EVALUATION REPORT</b>
<b>LOCATION</b>	<b>ATHENS</b>
<b>DESCRIPTION</b>	<b>Natural Gas Dispersion and Heat Radiation Study for pipeline venting. Use of PHAST software for ten cases.</b>



**SYBILLA Ltd.**  
*Managing Environment, Safety & Risk*

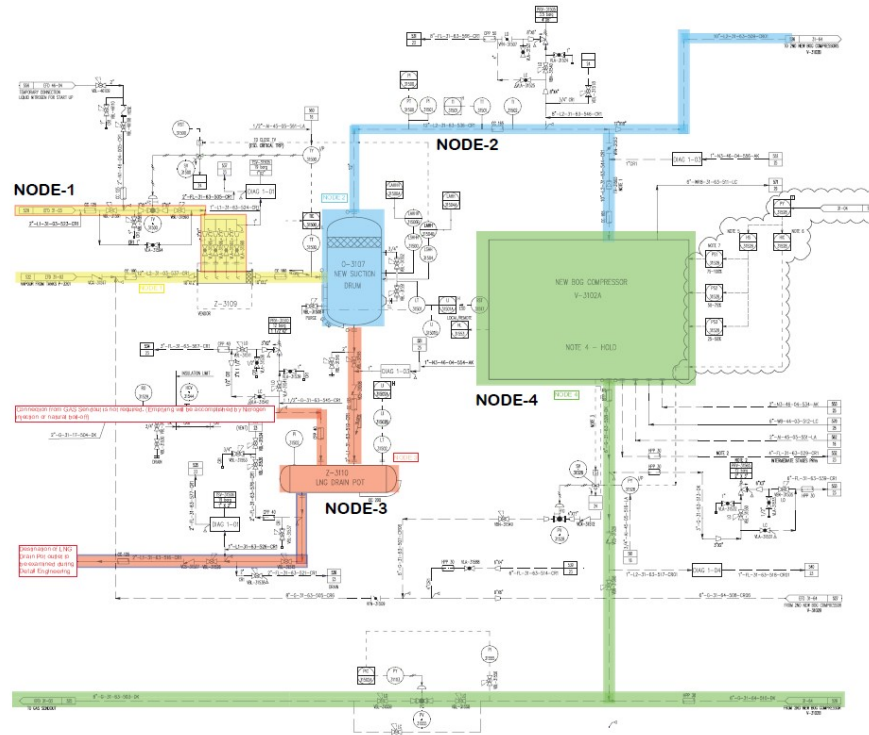
16 Ypsilandou, Maroussi GR 151 22 Athens, Greece  
 Tel +30210-8024244 / Fax +30210-6141245  
 e-mail : [mail@svbilla.gr](mailto:mail@svbilla.gr)

VAT No. EL 095487874



CERTIFIED M.S.  
 ISO 9001:2015  
 ISO 14001:2015

**BASIC ENGINEERING DESIGN AND RELATED STUDIES FOR THE  
 INSTALLATION OF A NEW SEND-OUT BOG COMPRESSOR UNIT AT  
 REVITHOUSSA LNG TERMINAL  
 HAZOP STUDY**



<b>CONTRACTOR</b>	<b>DESFA/C&amp;M Engineering.</b>
<b>CONTACT AMOUNT</b>	<b>CONFIDENTIAL</b>
<b>YEAR</b>	<b>2020</b>
<b>WOTK TYPE</b>	<b>HAZOP REPORT</b>
<b>LOCATION</b>	<b>ATHENS- REVITHOUSSA -GREECE</b>
<b>SHORT DESCRIPTION</b>	<p>The HAZard and OPERability study (HAZOP) objectives were as follows:</p> <ul style="list-style-type: none"> <li>• To systematically review the design and operation of the facilities in the scope of study;</li> <li>• To identify potential Hazards with the design or operability of the facilities;</li> <li>• To record existing design or operational safeguards and make recommendations for further design or operational actions that will eliminate or reduce the risk of the identified hazards.</li> </ul> <p>The facilities were broken down into relevant sections (nodes) to allow the team to consider only deviations from the proposed design intent for that section of the facilities.</p>



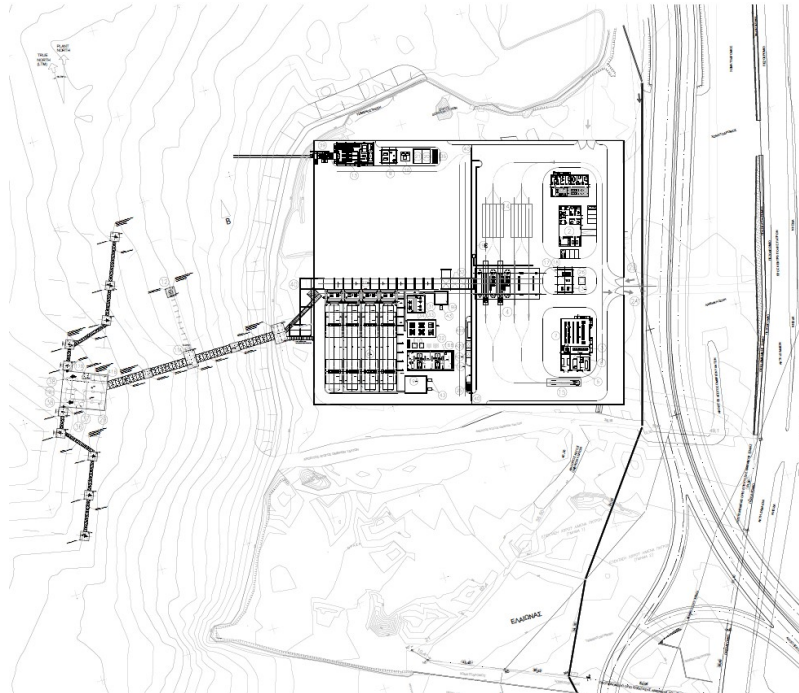
**SYBILLA Ltd.**  
*Managing Environment, Safety & Risk*

16 Ypsilandou, Maroussi GR 151 22 Athens, Greece  
Tel +30210-8024244 / Fax +30210-6141245  
e-mail : [mail@svbilla.gr](mailto:mail@svbilla.gr)

VAT No. EL 095487874



**BASIC AND DETAILED ENGINEERING DESIGN  
FOR SMALL SCALE LNG INFRASTRUCTURE  
AT THE PORTS OF PATRA, IGOUMENITSA AND HERAKLION  
HAZID STUDY - PORT OF PATRA**



<b>CONTRACTOR</b>	<b>DESFA/C&amp;M Engineering.</b>
<b>CONTACT AMOUNT</b>	<b>CONFIDENTIAL</b>
<b>YEAR</b>	<b>2020</b>
<b>WOTK TYPE</b>	<b>HAZID REPORT</b>
<b>LOCATION</b>	<b>ATHENS-PATRA-GREECE</b>
<b>SHORT DESCRIPTION</b>	<b>HAZID REPORT</b>



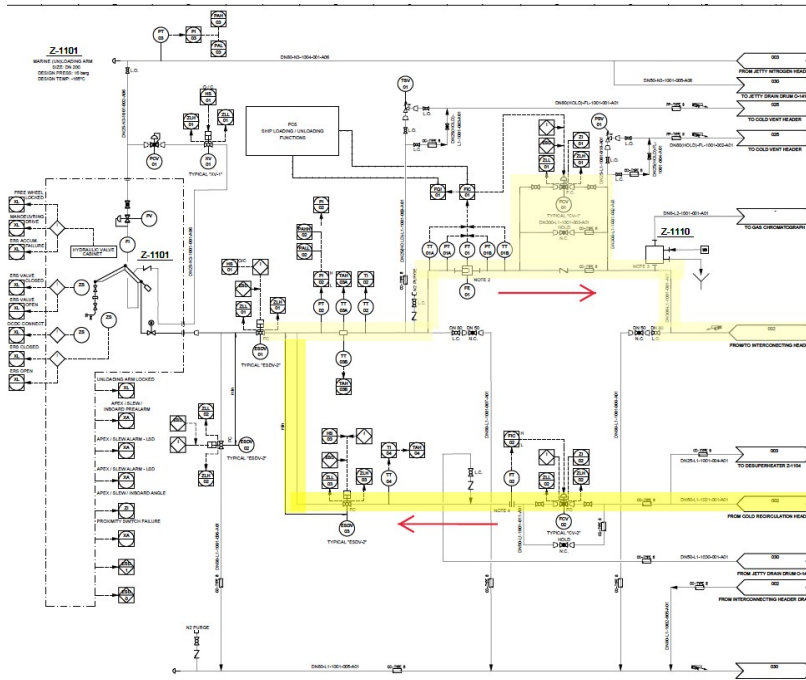
**SYBILLA Ltd.**  
*Managing Environment, Safety & Risk*

16 Ypsilandou, Maroussi GR 151 22 Athens, Greece  
 Tel +30210-8024244 / Fax +30210-6141245  
 e-mail : [mail@svbilla.gr](mailto:mail@svbilla.gr)

VAT No. EL 095487874



**BASIC AND DETAILED ENGINEERING DESIGN  
 FOR SMALL SCALE LNG INFRASTRUCTURE  
 AT THE PORTS OF PATRA, IGOUMENITSA AND HERAKLION  
 HAZOP STUDY - PORT OF PATRA**



<b>CONTRACTOR</b>	<b>DESFA/C&amp;M Engineering.</b>
<b>CONTACT AMOUNT</b>	<b>CONFIDENTIAL</b>
<b>YEAR</b>	<b>2020</b>
<b>WOTK TYPE</b>	<b>HAZOP REPORT</b>
<b>LOCATION</b>	<b>ATHENS-PATRA-GREECE</b>
<b>SHORT DESCRIPTION</b>	<p>The HAZard and OPerability study (HAZOP) objectives were as follows:</p> <ul style="list-style-type: none"> <li>• To systematically review the design and operation of the facilities in the scope of study;</li> <li>• To identify potential Hazards with the design or operability of the facilities;</li> <li>• To record existing design or operational safeguards and make recommendations for further design or operational actions that will eliminate or reduce the risk of the identified hazards.</li> </ul> <p>The facilities were broken down into relevant sections (nodes) to allow the team to consider only deviations from the proposed design intent for that section of the facilities.</p>





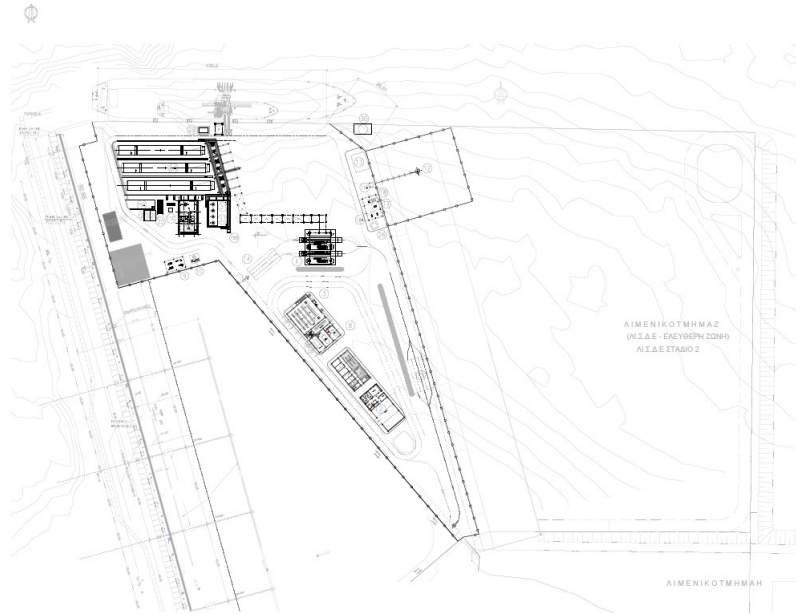
**SYBILLA Ltd.**  
*Managing Environment, Safety & Risk*

16 Ypsilandou, Maroussi GR 151 22 Athens, Greece  
Tel +30210-8024244 / Fax +30210-6141245  
e-mail : [mail@svbilla.gr](mailto:mail@svbilla.gr)

VAT No. EL 095487874



**BASIC AND DETAILED ENGINEERING DESIGN  
FOR SMALL SCALE LNG INFRASTRUCTURE  
AT THE PORTS OF PATRA, IGOUMENITSA AND HERAKLION  
HAZID STUDY - PORT OF HERAKLION**



<b>CONTRACTOR</b>	<b>DESFA/C&amp;M Engineering.</b>
<b>CONTACT AMOUNT</b>	<b>CONFIDENTIAL</b>
<b>YEAR</b>	<b>2020</b>
<b>WOTK TYPE</b>	<b>HAZID REPORT</b>
<b>LOCATION</b>	<b>ATHENS- HERAKLION CRETE-GREECE</b>
<b>SHORT DESCRIPTION</b>	<b>HAZID REPORT</b>



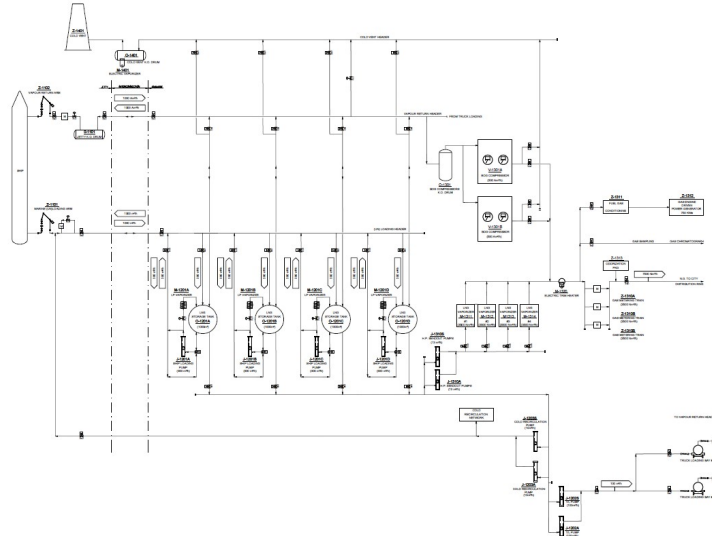
SYBILLA Ltd.  
Managing Environment, Safety & Risk

16 Ypsilandou, Maroussi GR 151 22 Athens, Greece  
Tel +30210-8024244 / Fax +30210-6141245  
e-mail : [mail@svbilla.gr](mailto:mail@svbilla.gr)

VAT No. EL 095487874



**BASIC AND DETAILED ENGINEERING DESIGN  
FOR SMALL SCALE LNG INFRASTRUCTURE  
AT THE PORTS OF PATRA, IGOUMENITSA AND HERAKLION  
HAZOP STUDY - PORT OF HERAKLION**



<b>CONTRACTOR</b>	<b>DESFA/C&amp;M Engineering.</b>
<b>CONTACT AMOUNT</b>	<b>CONFIDENTIAL</b>
<b>YEAR</b>	<b>2020</b>
<b>WOTK TYPE</b>	<b>HAZOP REPORT</b>
<b>LOCATION</b>	<b>ATHENS- HERAKLION CRETE -GREECE</b>
<b>SHORT DESCRIPTION</b>	<p>The HAZard and OPerability study (HAZOP) objectives were as follows:</p> <ul style="list-style-type: none"><li>• To systematically review the design and operation of the facilities in the scope of study;</li><li>• To identify potential Hazards with the design or operability of the facilities;</li><li>• To record existing design or operational safeguards and make recommendations for further design or operational actions that will eliminate or reduce the risk of the identified hazards.</li></ul> <p>The facilities were broken down into relevant sections (nodes) to allow the team to consider only deviations from the proposed design intent for that section of the facilities.</p>



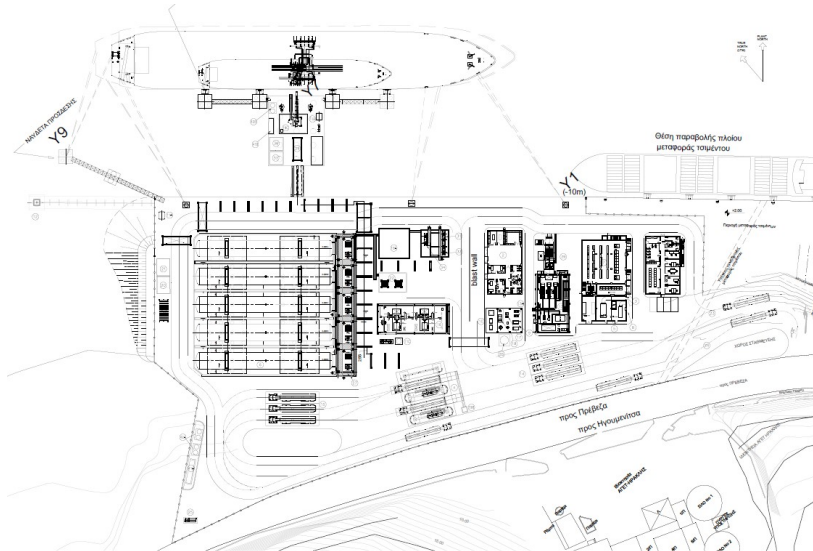
**SYBILLA Ltd.**  
*Managing Environment, Safety & Risk*

16 Ypsilandou, Maroussi GR 151 22 Athens, Greece  
Tel +30210-8024244 / Fax +30210-6141245  
e-mail : [mail@svbilla.gr](mailto:mail@svbilla.gr)

VAT No. EL 095487874



**BASIC AND DETAILED ENGINEERING DESIGN  
FOR SMALL SCALE LNG INFRASTRUCTURE  
AT THE PORTS OF PATRA, IGOUMENITSA AND HERAKLION  
HAZID STUDY - PORT OF IGOUMENITSA**



<b>CONTRACTOR</b>	<b>DESFA/C&amp;M Engineering.</b>
<b>CONTACT AMOUNT</b>	<b>CONFIDENTIAL</b>
<b>YEAR</b>	<b>2020</b>
<b>WOTK TYPE</b>	<b>HAZID REPORT</b>
<b>LOCATION</b>	<b>ATHENS- IGOUMENITSA -GREECE</b>
<b>SHORT DESCRIPTION</b>	<b>HAZID REPORT</b>



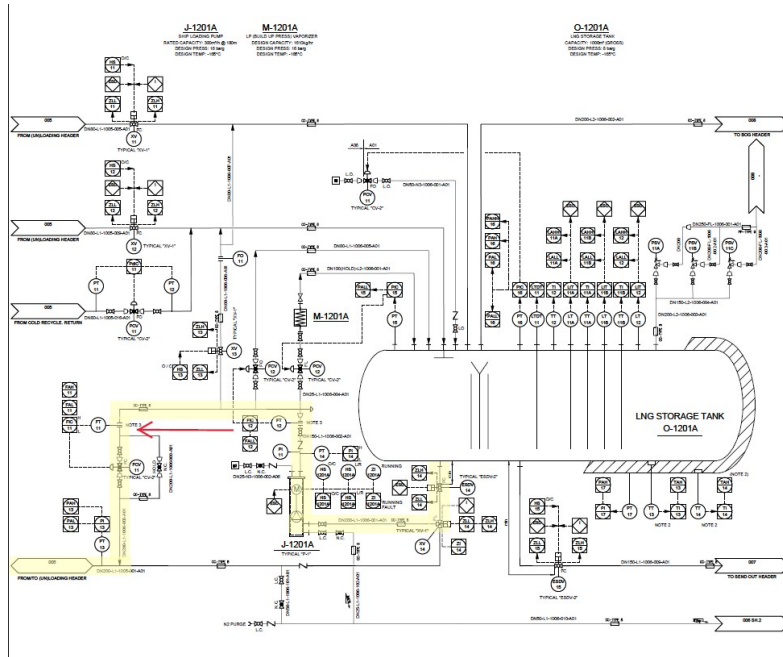
**SYBILLA Ltd.**  
*Managing Environment, Safety & Risk*

16 Ypsilandou, Maroussi GR 151 22 Athens, Greece  
 Tel +30210-8024244 / Fax +30210-6141245  
 e-mail : [mail@svbilla.gr](mailto:mail@svbilla.gr)

VAT No. EL 095487874



**BASIC AND DETAILED ENGINEERING DESIGN  
 FOR SMALL SCALE LNG INFRASTRUCTURE  
 AT THE PORTS OF PATRA, IGOUMENITSA AND HERAKLION  
 HAZOP STUDY - PORT OF IGOUMENITSA**



<b>CONTRACTOR</b>	<b>DESFA/C&amp;M Engineering.</b>
<b>CONTACT AMOUNT</b>	<b>CONFIDENTIAL</b>
<b>YEAR</b>	<b>2020</b>
<b>WOTK TYPE</b>	<b>HAZOP REPORT</b>
<b>LOCATION</b>	<b>ATHENS- IGOUMENITSA -GREECE</b>
<b>SHORT DESCRIPTION</b>	<p>The HAZard and OPerability study (HAZOP) objectives were as follows:</p> <ul style="list-style-type: none"> <li>• To systematically review the design and operation of the facilities in the scope of study;</li> <li>• To identify potential Hazards with the design or operability of the facilities;</li> <li>• To record existing design or operational safeguards and make recommendations for further design or operational actions that will eliminate or reduce the risk of the identified hazards.</li> </ul> <p>The facilities were broken down into relevant sections (nodes) to allow the team to consider only deviations from the proposed design intent for that section of the facilities.</p>





**SYBILLA Ltd.**  
*Managing Environment, Safety & Risk*

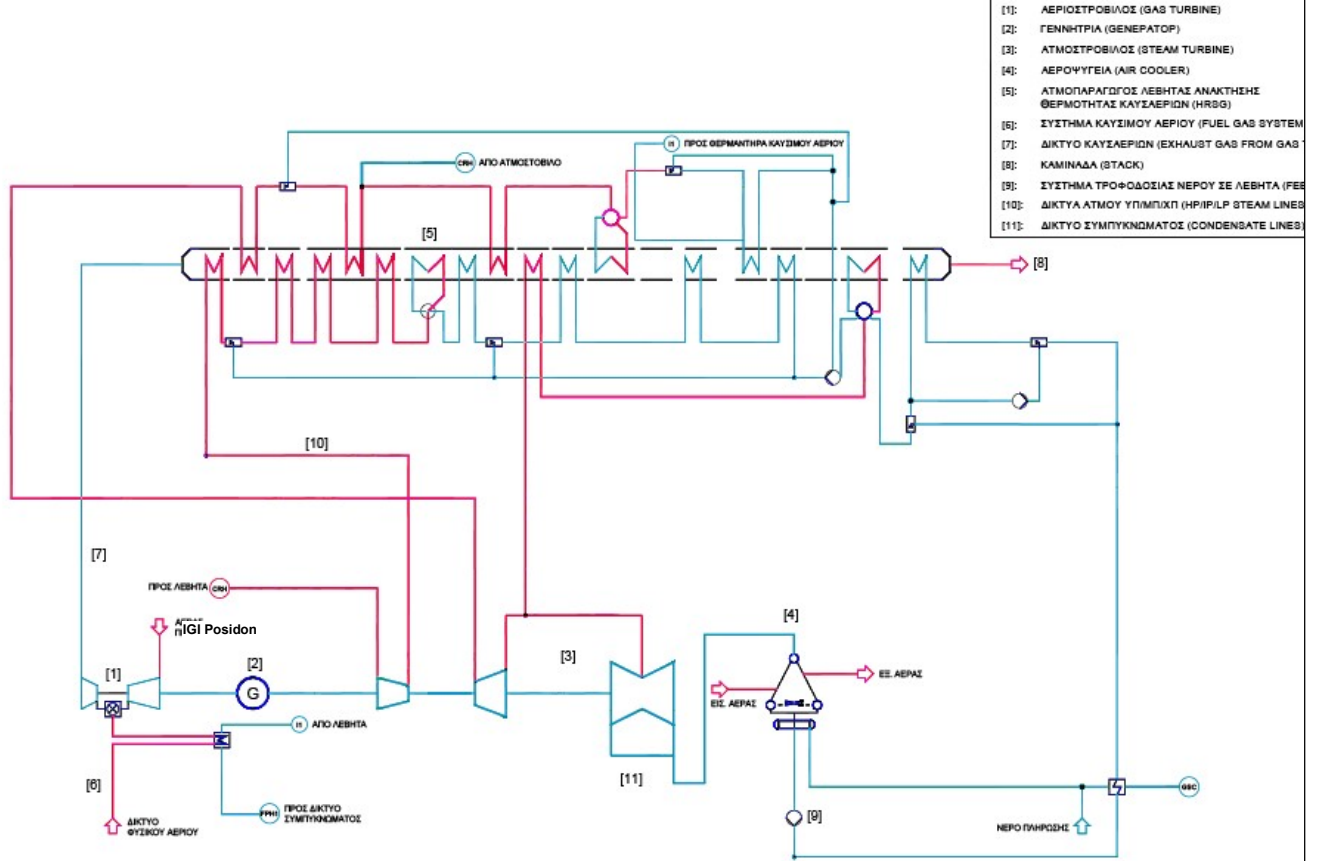
16 Ypsilandou, Maroussi GR 151 22 Athens, Greece  
 Tel +30210-8024244 / Fax +30210-6141245  
 e-mail : [mail@svbilla.gr](mailto:mail@svbilla.gr)

VAT No. EL 095487874



CERTIFIED M.S.  
 ISO 9001:2015  
 ISO 14001:2015

**Environmental Impact Assessment (EIA) study for the TERNA S.A. Natural Gas Power Industry in Komotini Industrial Region Greece.**



- [1]: ΑΕΡΙΟΣΤΡΟΒΙΛΟΣ (GAS TURBINE)
- [2]: ΓΕΝΗΤΗΡΙΑ (GENERATOR)
- [3]: ΑΤΜΟΣΤΡΟΒΙΛΟΣ (STEAM TURBINE)
- [4]: ΑΕΡΩΨΥΓΕΙΑ (AIR COOLER)
- [5]: ΑΤΜΟΠΑΡΑΓΩΓΟΣ ΛΕΒΗΤΑΣ ΑΝΑΚΤΗΣΗΣ ΘΕΡΜΟΤΗΤΑΣ ΚΑΥΣΑΕΡΙΩΝ (HRSG)
- [6]: ΣΥΣΤΗΜΑ ΚΑΥΣΙΜΟΥ ΑΕΡΙΟΥ (FUEL GAS SYSTEM)
- [7]: ΔΙΚΤΥΟ ΚΑΥΣΑΕΡΙΩΝ (EXHAUST GAS FROM GAS)
- [8]: ΚΑΜΙΝΑΔΑ (STACK)
- [9]: ΣΥΣΤΗΜΑ ΤΡΟΦΟΔΟΣΙΑΣ ΝΕΡΟΥ ΣΕ ΛΕΒΗΤΑ (FEED WATER SYSTEM)
- [10]: ΔΙΚΤΥΑ ΑΤΜΟΥ ΥΠΙΠΛΩΠ (HRIP/LP STEAM LINES)
- [11]: ΔΙΚΤΥΟ ΣΥΜΠΥΚΝΩΜΑΤΟΣ (CONDENSATE LINES)

<b>CONTRACTING ENTITY</b>	<b>TERNA A.E</b>
<b>CONTRACT PRICE</b>	<b>CONFIDENTIAL</b>
<b>YEAR</b>	<b>2019-2020</b>
<b>PROJECT TYPE</b>	<b>ENVIRONMENTAL AND SOCIAL IMPACT ASSESSMENT STUDY</b>
<b>LOCATION</b>	<b>ATHENS-KOMOTINI</b>