



SYBILLA Ltd.
Managing Environment, Safety & Risk

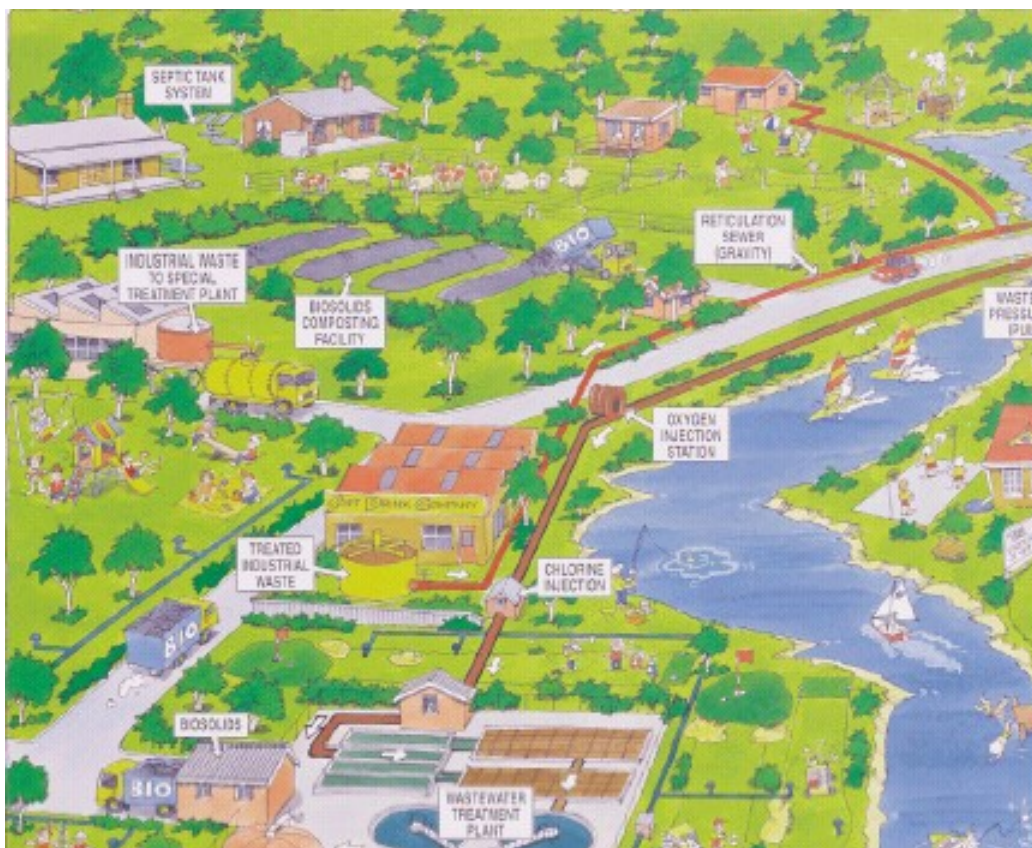
16 Ypsilandou, Maroussi GR 151 22 Athens, Greece
Tel +30210-8024244 / Fax +30210-6141245
e-mail : mail@sybilla.gr



VAT No. EL 095487874

CAPABILITY STATEMENT

INDICATIVE PARTICIPATION IN THE DESIGN OF LIQUID WASTE PROCESSING INSTALLATIONS



SEPTEMBER 2020



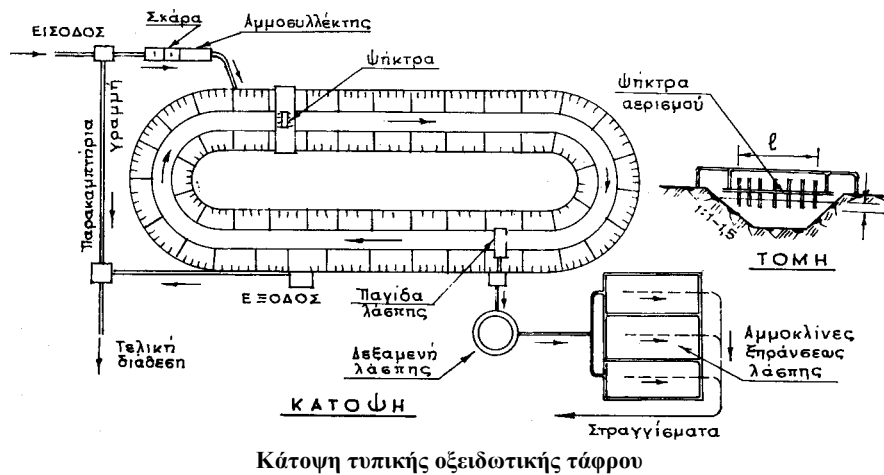
SYBILLA Ltd.
Managing Environment, Safety & Risk

16 Ypsilandou, Maroussi GR 151 22 Athens, Greece
Tel +30210-8024244 / Fax +30210-6141245
e-mail : mail@sybilla.gr

VAT No. EL 095487874



WASTE DRAIN AND PROCESSING STUDY, KOZIAKAS MUNICIPALITY



CONTRACTING ENTITY	KOZIAKAS MUNICIPALITY
CONTRACT PRICE	CONFIDENTIAL
YEAR	2001-2003
PROJECT TYPE	WASTE DRAIN AND PROCESSING STUDY
LOCATION	ATHEMS – TRIKALA



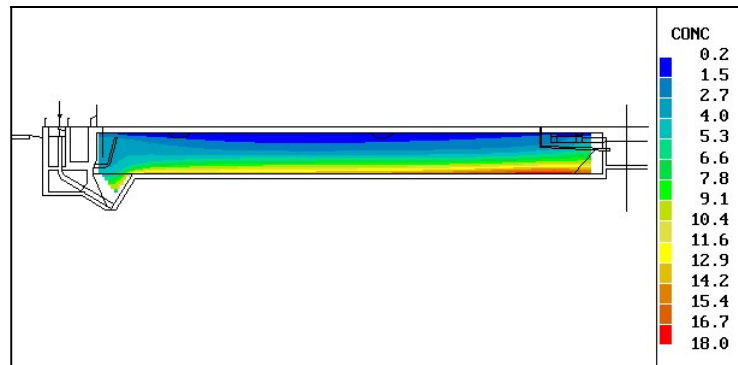
SYBILLA Ltd.
Managing Environment, Safety & Risk

16 Ypsilandou, Maroussi GR 151 22 Athens, Greece
Tel +30210-8024244 / Fax +30210-6141245
e-mail : mail@svbilla.gr



VAT No. EL 095487874

SECOND GRADE SEDIMENTATION WASTE PROCESSING STUDY, PSITALEIA



CONTRACTING ENTITY	K/Ξ IMPREGILO
CONTRACT PRICE	CONFIDENTIAL
YEAR	1997
PROJECT TYPE	SECOND-GRADE SEDIMENTATION WASTE PROCESSING STUDY
LOCATION	ATHENS – THESSALONIKI - LEMNOS

**WASTE PROCESSING INSTALLATIONS MODERNIZATION – EXTENSION PRE-STUDY,
XANTHI MUNICIPALITY**

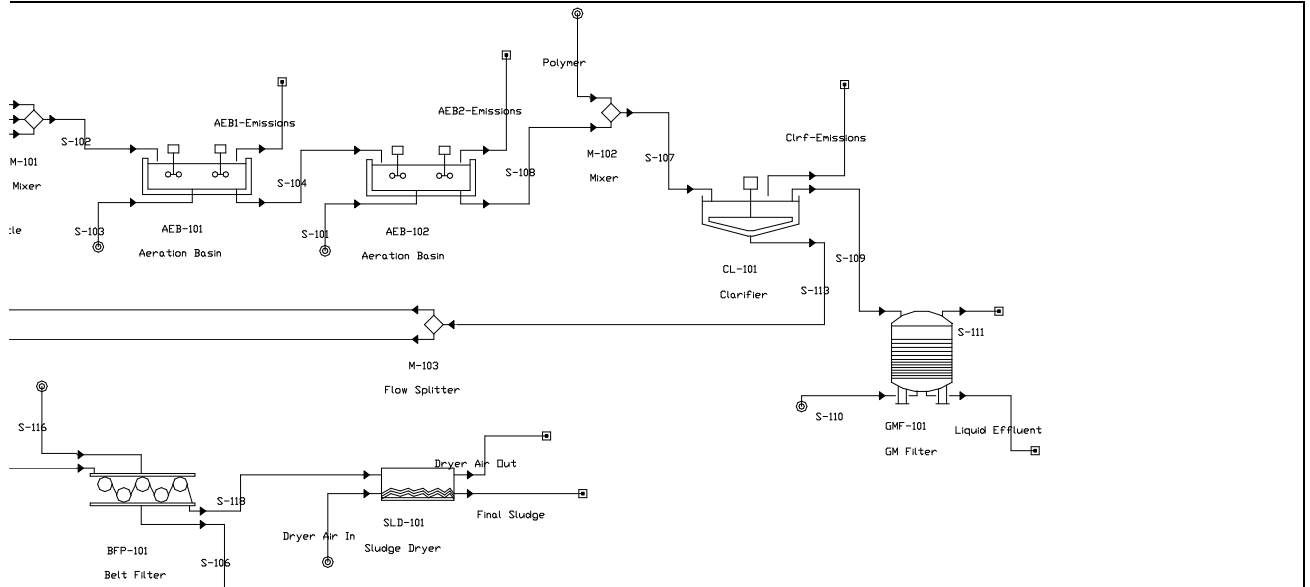


SYBILLA Ltd.
Managing Environment, Safety & Risk

16 Ypsilandou, Maroussi GR 151 22 Athens, Greece
 Tel +30210-8024244 / Fax +30210-6141245
 e-mail : mail@sybilla.gr



VAT No. EL 095487874



CONTRACTING ENTITY	XANTHI MUNICIPALITY
CONTRACT PRICE	CONFIDENTIAL
YEAR	2002
PROJECT TYPE	WASTE PROCESSING INSTALLATIONS MODERNIZATION – EXTENSION PRE-STUDY
LOCATION	ATHNES - XANTHI



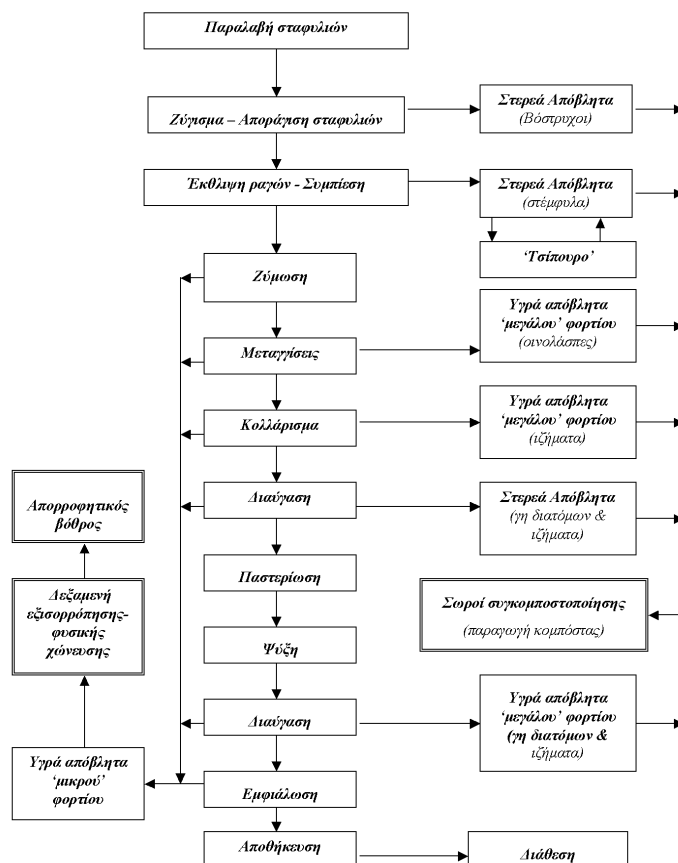
SYBILLA Ltd.
Managing Environment, Safety & Risk

16 Ypsilandou, Maroussi GR 151 22 Athens, Greece
Tel +30210-8024244 / Fax +30210-6141245
e-mail : mail@sybilla.gr



VAT No. EL 095487874

Agricultural University of Athens, experimental – training winery in Spata, Liquid Waste Processing and Disposal Study



CONTRACTING ENTITY	AGRICULTURAL UNIVERSITY OF ATHENS
CONTRACT PRICE	CONFIDENTIAL
YEAR	2003
PROJECT TYPE	LIQUID WASTE PROCESSING AND DISPOSAL STUDY
LOCATION	ATHENS - SPATA



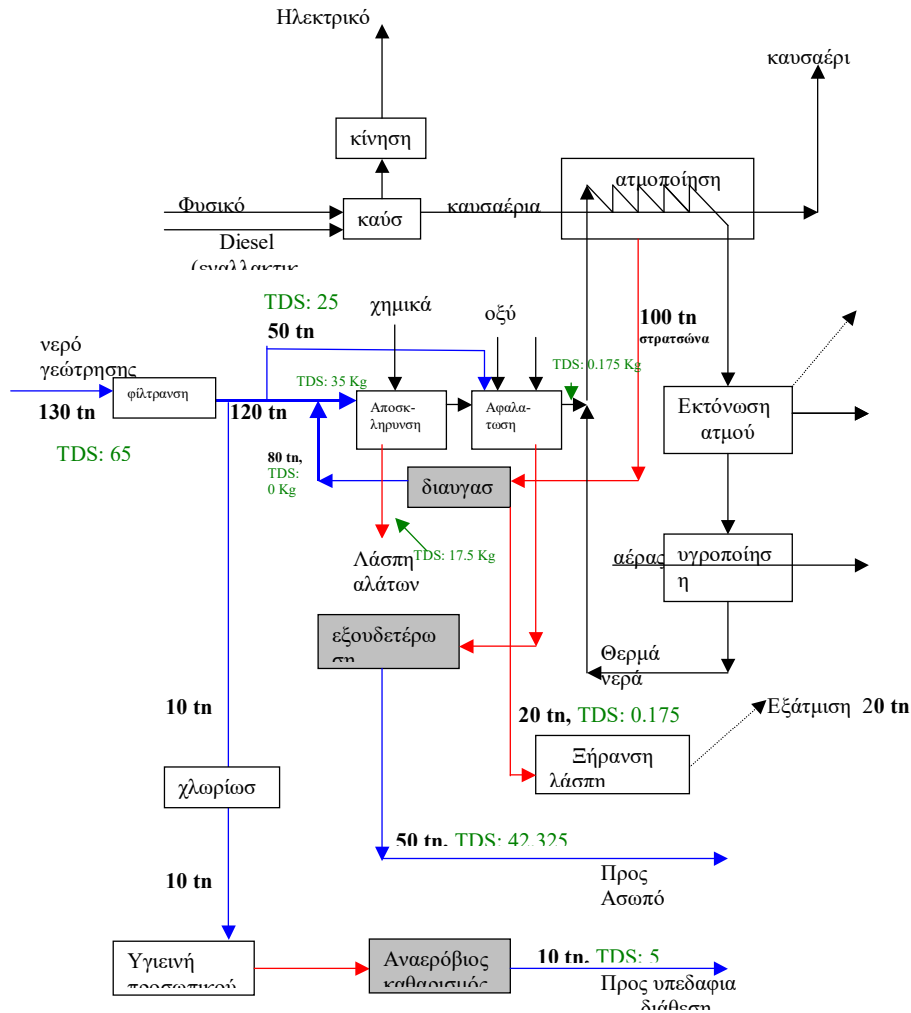
SYBILLA Ltd.
Managing Environment, Safety & Risk

16 Ypsilandou, Maroussi GR 151 22 Athens, Greece
 Tel +30210-8024244 / Fax +30210-6141245
 e-mail : mail@sybilla.gr

VAT No. EL 095487874



HERON AE Natural Gas Thermoelectric Plant in Thiva, Liquid Waste Processing and Disposal Study



CONTRACTING ENTITY	HERON AE
CONTRACT PRICE	CONFIDENTIAL
YEAR	2001
PROJECT TYPE	LIQUID WASTE PROCESSING AND DISPOSAL STUDY
LOCATION	ATHENS – THIVA



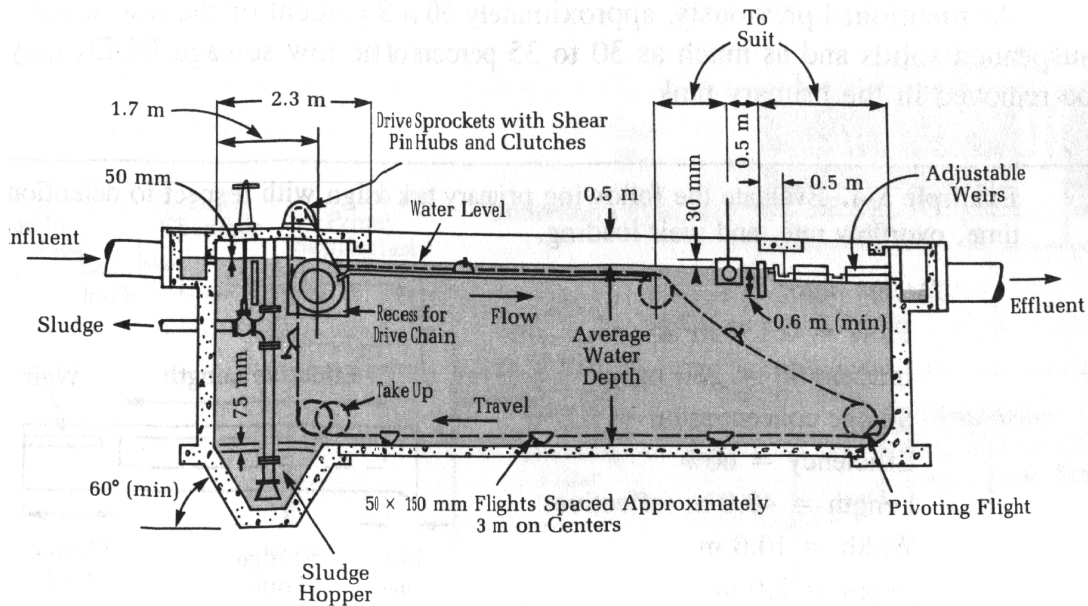
SYBILLA Ltd.
Managing Environment, Safety & Risk

16 Ypsilandou, Maroussi GR 151 22 Athens, Greece
 Tel +30210-8024244 / Fax +30210-6141245
 e-mail : mail@svbilla.gr



VAT No. EL 095487874

ELVIEMEK AE INSTALLATION IN OINOFYTA, LIQUID WASTE PROCESSING AND DISPOSAL STUDY



CONTRACTING ENTITY	ELVIEMEK AE
CONTRACT PRICE	CONFIDENTIAL
YEAR	2001
PROJECT TYPE	LIQUID WASTE PROCESSING AND DISPOSAL STUDY
LOCATION	ATHENS - OINOFYTA



SYBILLA Ltd.
Managing Environment, Safety & Risk

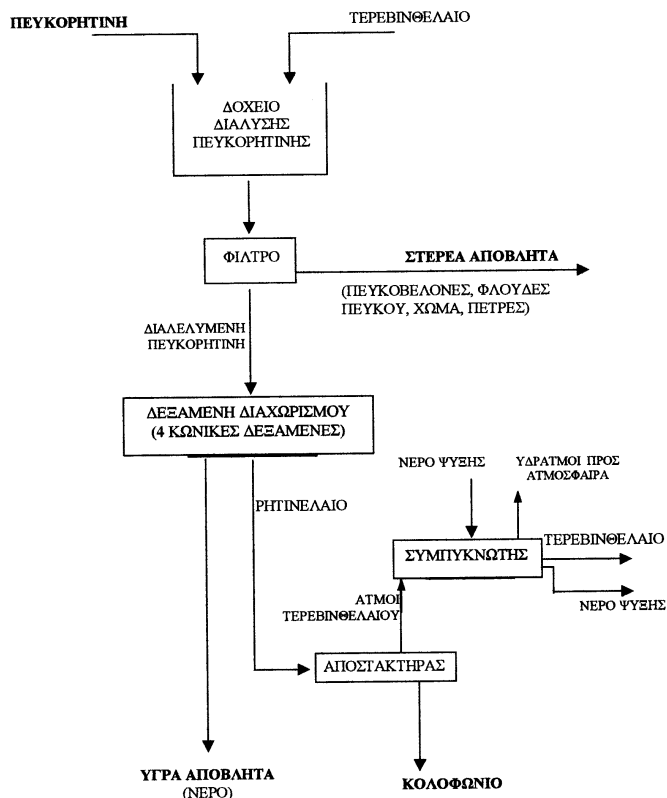
16 Ypsilandou, Maroussi GR 151 22 Athens, Greece
Tel +30210-8024244 / Fax +30210-6141245
e-mail : mail@sybilla.gr

VAT No. EL 095487874



FANIS AE INSTALLATION IN MEGARA, LIQUID WASTE PROCESSING AND DISPOSAL STUDY

ΔΙΑΓΡΑΜΜΑ ΡΟΗΣ ΠΑΡΑΓΩΓΙΚΗΣ ΔΙΑΔΙΚΑΣΙΑΣ ΕΠΕΞΕΡΓΑΣΙΑΣ ΠΕΥΚΟΡΗΤΙΝΗΣ



* ΚΛΕΙΣΤΟ ΚΥΚΛΩΜΑ ΝΕΡΟΥ ΨΥΞΗΣ

CONTRACTING ENTITY	FANIS AE
CONTRACT PRICE	CONFIDENTIAL
YEAR	2001
PROJECT TYPE	LIQUID WASTE PROCESSING AND DISPOSAL STUDY
LOCATION	ATHENS - MEGARA



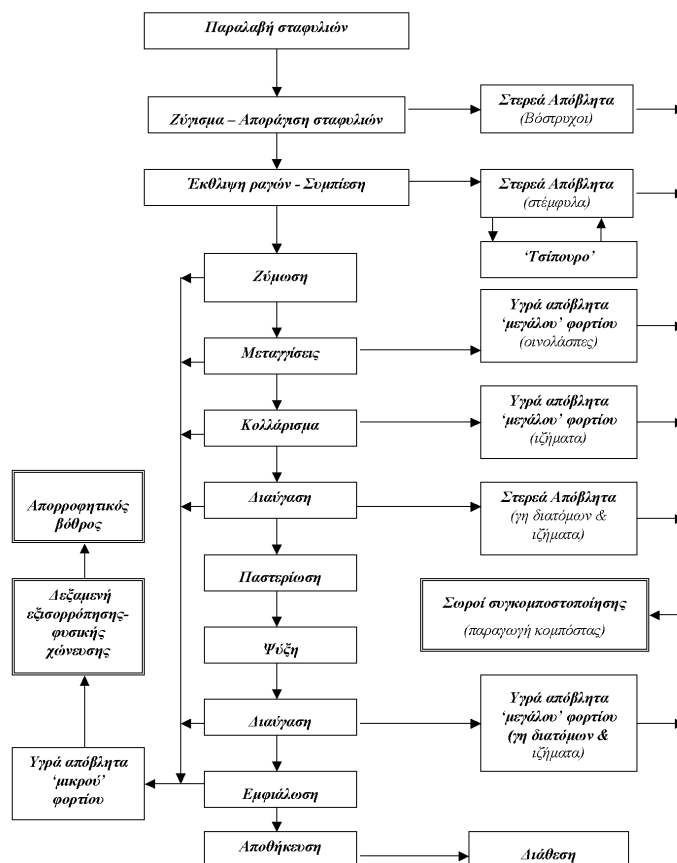
SYBILLA Ltd.
Managing Environment, Safety & Risk

16 Ypsilandou, Maroussi GR 151 22 Athens, Greece
Tel +30210-8024244 / Fax +30210-6141245
e-mail : mail@sybilla.gr



VAT No. EL 095487874

Agricultural University of Athens, experimental – training winery in Spata, Liquid Waste Processing and Disposal Study



CONTRACTING ENTITY	AGRICULTURAL UNIVERSITY OF ATHENS
CONTRACT PRICE	CONFIDENTIAL
YEAR	2003
PROJECT TYPE	LIQUID WASTE PROCESSING AND DISPOSAL STUDY
LOCATION	ΑΘΗΝΑ - ΣΠΑΤΑ



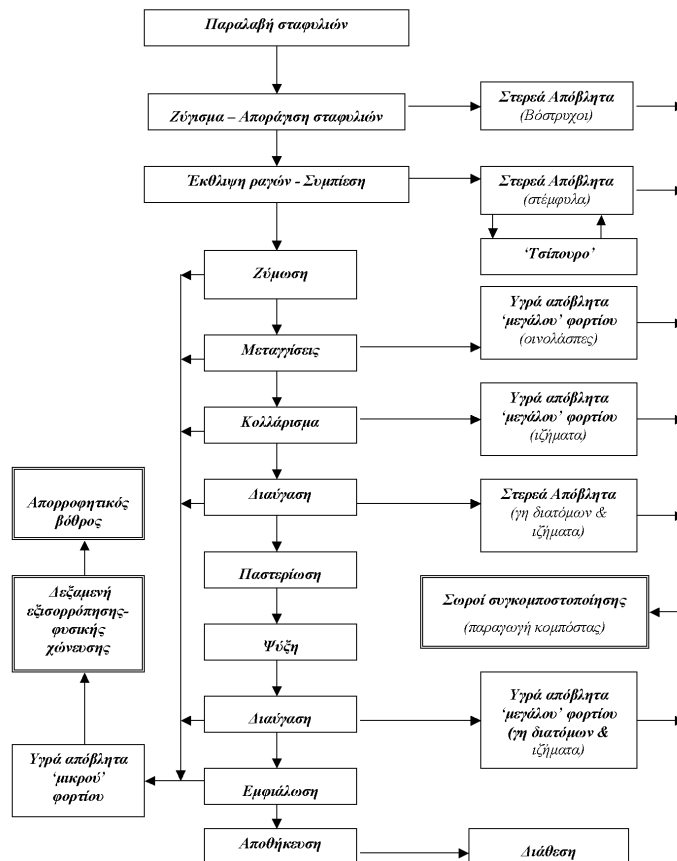
SYBILLA Ltd.
Managing Environment, Safety & Risk

16 Ypsilandou, Maroussi GR 151 22 Athens, Greece
Tel +30210-8024244 / Fax +30210-6141245
e-mail : mail@sybilla.gr



VAT No. EL 095487874

Agricultural University of Athens, experimental – training winery in Spata, Liquid Waste Processing and Disposal Study



CONTRACTING ENTITY	AGRICULTURAL UNIVERSITY OF ATHENS
CONTRACT PRICE	CONFIDENTIAL
YEAR	2003
PROJECT TYPE	LIQUID WASTE PROCESSING AND DISPOSAL STUDY
LOCATION	ATHENS - SPATA



SYBILLA Ltd.
Managing Environment, Safety & Risk

16 Ypsilandou, Maroussi GR 151 22 Athens, Greece
Tel +30210-8024244 / Fax +30210-6141245
e-mail : mail@sybilla.gr



VAT No. EL 095487874

**CONTRACT: WASTEWATER TREATMENT PLANT OF GEVGELIJA,
UPDATE OF EXISTING STUDY AND PREPARATION OF
TENDER DOCUMENT
INCEPTION REPORT.**



PLAN OF GEVGELIJA AND INDUSTRIAL SITE LOCATIONS

CONTRACTING ENTITY	F.Y.R.O.M Government
CONTRACT PRICE	CONFIDENTIAL
YEAR	2004
PROJECT TYPE	MUNICIPAL AND INDUSTRIAL WASTE STUDY
LOCATION	ΑΘΗΝΑ –ΓΕΒΓΕΛΙЈΑ-SKOPIJE



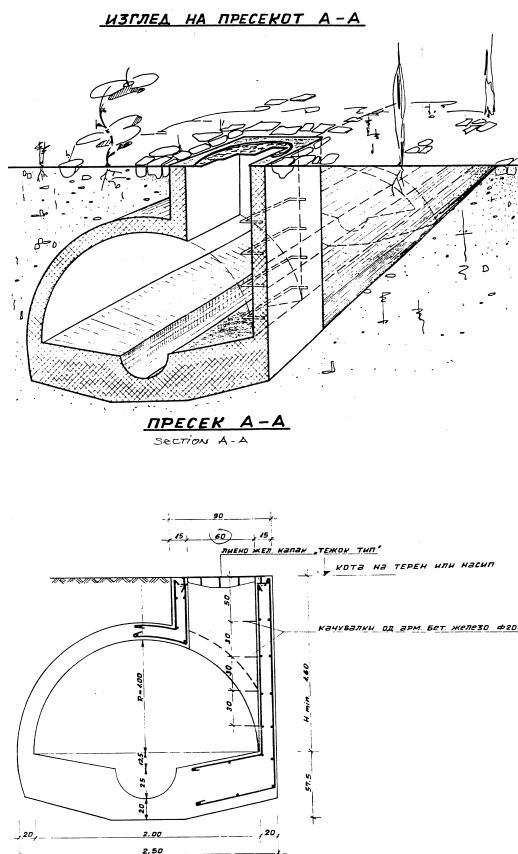
SYBILLA Ltd.
Managing Environment, Safety & Risk

16 Ypsilandou, Maroussi GR 151 22 Athens, Greece
Tel +30210-8024244 / Fax +30210-6141245
e-mail : mail@sybilla.gr



VAT No. EL 095487874

**CONTRACT: WASTEWATER TREATMENT PLANT OF GEVGELIJA,
UPDATE OF EXISTING STUDY AND PREPARATION OF
TENDER DOCUMENT
MAIN DESIGN REPORT.**



Geometrical Characteristics of the "horse shoe" shaped collector.

CONTRACTING ENTITY	F.Y.R.O.M Government
CONTRACT PRICE	CONFIDENTIAL
YEAR	2004
PROJECT TYPE	MUNICIPAL AND INDUSTRIAL WASTE STUDY
LOCATION	AΘHNA – GEVGELIJA - SKOPIJE



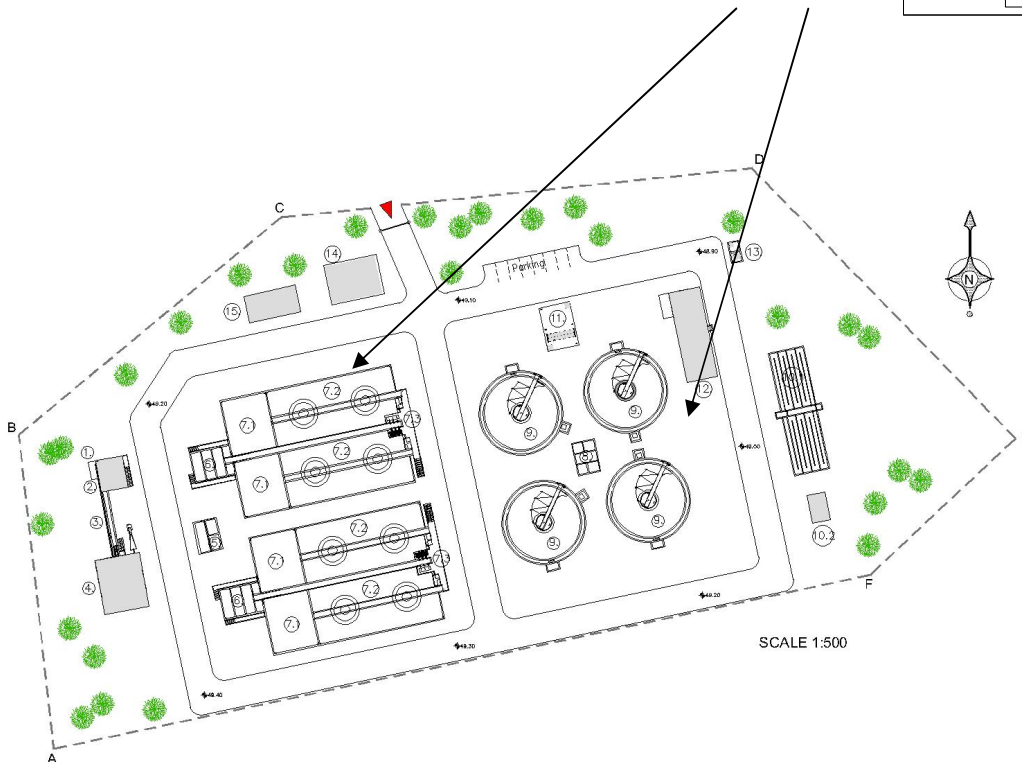
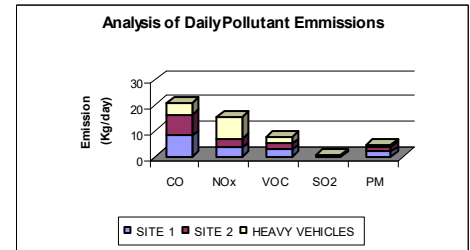
SYBILLA Ltd.
Managing Environment, Safety & Risk

16 Ypsilandou, Maroussi GR 151 22 Athens, Greece
 Tel +30210-8024244 / Fax +30210-6141245
 e-mail : mail@svbilla.gr



VAT No. EL 095487874

**CONTRACT: WASTEWATER TREATMENT PLANT OF GEVGELIJA,
 UPDATE OF EXISTING STUDY AND PREPARATION OF
 TENDER DOCUMENT
 ENVIRONMENTAL IMPACT ASSESSMENT REPORT.**



Spatial Analysis of Total Daily emissions of pollutants per pollutant

CONTRACTING ENTITY	F.Y.R.O.M Government
CONTRACT PRICE	CONFIDENTIAL
YEAR	2004
PROJECT TYPE	ENVIRONMENTAL IMPACT ASSESSMENT STUDY
LOCATION	AΘHNA –GEVGELIJA-SKOPIJE



SYBILLA Ltd.
Managing Environment, Safety & Risk

16 Ypsilandou, Maroussi GR 151 22 Athens, Greece
Tel +30210-8024244 / Fax +30210-6141245
e-mail : mail@sybilla.gr

VAT No. EL 095487874



**CONTRACT: WASTEWATER TREATMENT PLANT OF GEVGELIJA,
UPDATE OF EXISTING STUDY AND PREPARATION OF
TENDER DOCUMENT
PREPARATION OF TENDER DOCUMENTS.**



Outflow of the "horse shoe" shaped collector to river Vardar.

CONTRACTING ENTITY	F.Y.R.O.M Government
CONTRACT PRICE	CONFIDENTIAL
YEAR	2004
PROJECT TYPE	PREPARATION OF TENDER DOCUMENTS
LOCATION	AΘHNA –GEVGELIJA-SKOPIJE



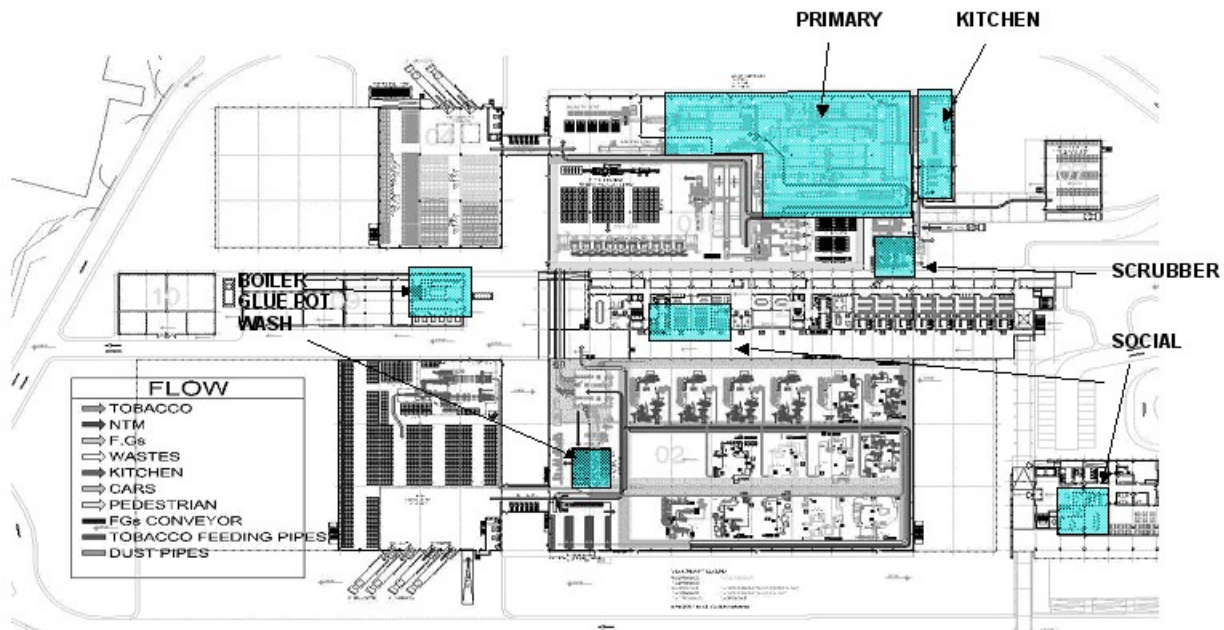
SYBILLA Ltd.
Managing Environment, Safety & Risk

16 Ypsilandou, Maroussi GR 151 22 Athens, Greece
Tel +30210-8024244 / Fax +30210-6141245
e-mail : mail@svbilla.gr



VAT No. EL 095487874

PAPASTRATOS ABEΣ Tobacco Industry in Aspropyrgos, Attica. Environmental Impact Assessment Study



CONTRACTING ENTITY	PAPASTRATOS ABEΣ
CONTRACT PRICE	CONFIDENTIAL
YEAR	2005
PROJECT TYPE	LIQUID WASTE PROCESSING AND DISPOSAL STUDY
LOCATION	ATHENS - ASPROPYRGOS



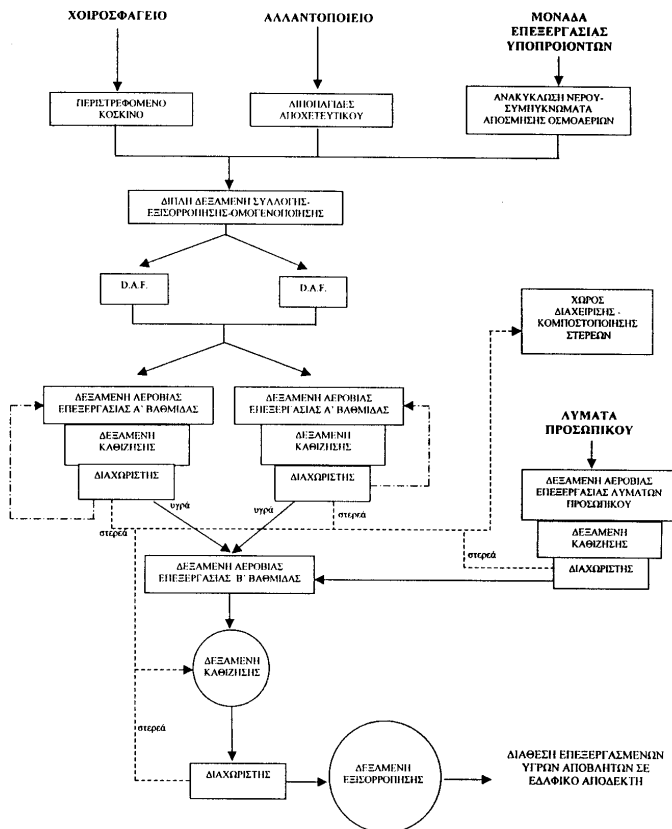
SYBILLA Ltd.
Managing Environment, Safety & Risk

16 Ypsilandou, Maroussi GR 151 22 Athens, Greece
 Tel +30210-8024244 / Fax +30210-6141245
 e-mail : mail@sybilla.gr



VAT No. EL 095487874

CRETA FARM New Unit in Trikala, Liquid Waste Disposal Study



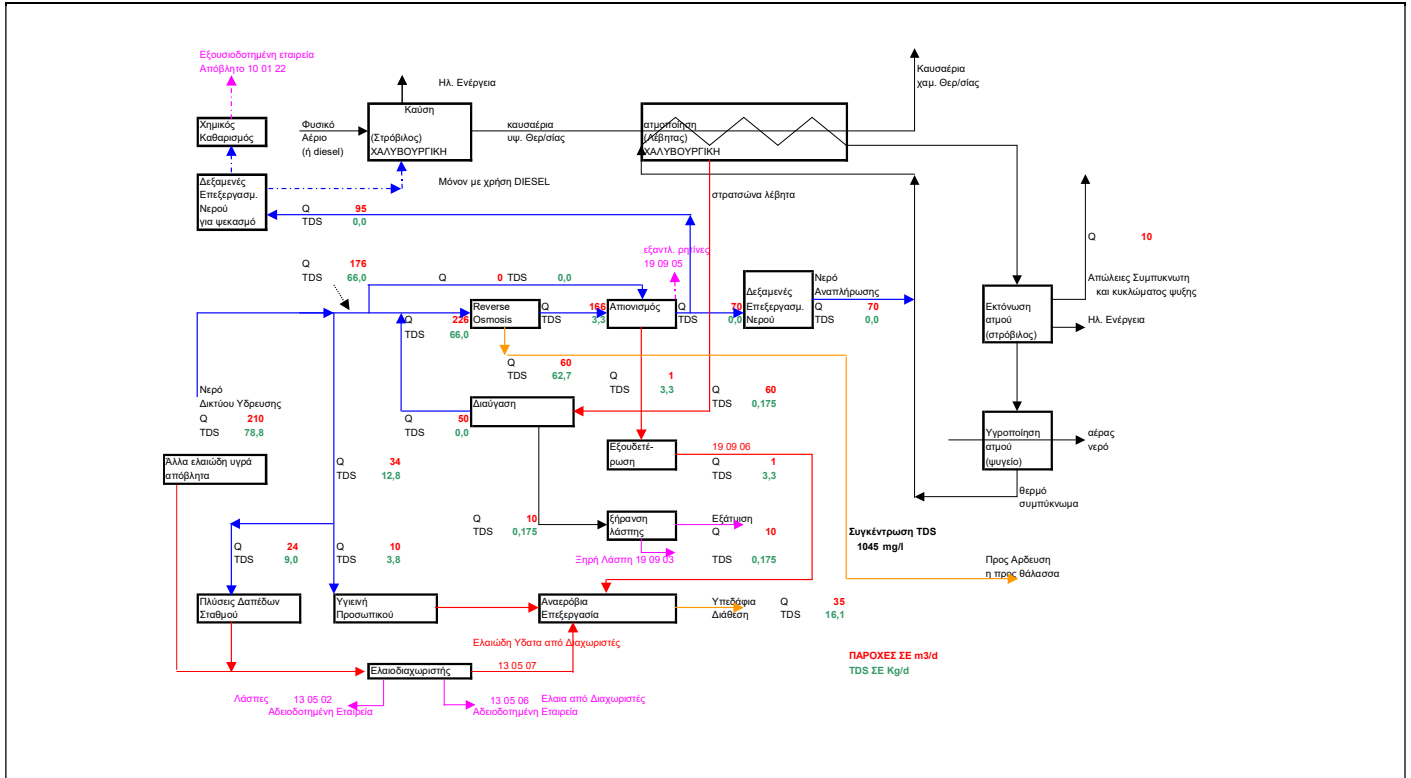
CONTRACTING ENTITY	CRETA FARM
CONTRACT PRICE	CONFIDENTIAL
YEAR	2000
PROJECT TYPE	LIQUID WASTE DISPOSAL STUDY
LOCATION	ATHENS - TRIKALA



SYBILLA Ltd.
Managing Environment, Safety & Risk

16 Ypsilandou, Maroussi GR 151 22 Athens, Greece
 Tel +30210-8024244 / Fax +30210-6141245
 e-mail : mail@sybilla.gr

VAT No. EL 095487874



Halivourgiki AE Thermoelectric Natura Gas Plant 824 MWe in Aspropyrgos Attica, Liquid Waste processing and Disposal Study

CONTRACTING ENTITY	XALIVOURGIKI AE
CONTRACT PRICE	CONFIDENTIAL
YEAR	2006
PROJECT TYPE	LIQUID WASTE PROCESSING AND DISPOSAL STUDY
LOCATION	ATHENS - ASPROPYRGOS



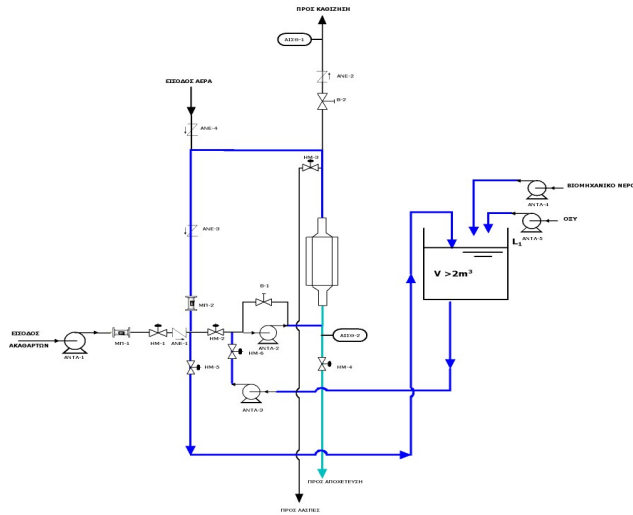
SYBILLA Ltd.
Managing Environment, Safety & Risk

16 Ypsilandou, Maroussi GR 151 22 Athens, Greece
 Tel +30210-8024244 / Fax +30210-6141245
 e-mail : mail@sybilla.gr

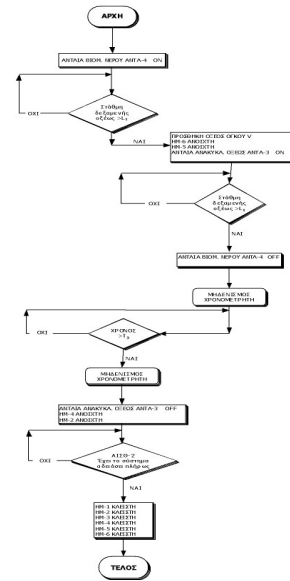


VAT No. EL 095487874

Technical study and Auction Issues for the electrolytic Third-grade Waste Disposal Unit, as well as the disposal network, for the waste of the Industrial Area of Heraklion



ΠΛΑΣΙΜΟ ΜΕ ΟΕΥ ΚΑΙ ΑΔΕΙΑΣΜΑ ΔΕΣΜΕΝΗΣ ΟΕΕΩΣ



CONTRACTING ENTITY	ETVA-VIPE A.E.
CONTRACT PRICE	CONFIDENTIAL
YEAR	2006
PROJECT TYPE	LIQUID WASTE PROCESSING AND DISPOSAL STUDY
LOCATION	ATHENS – HERAKLION CRETE



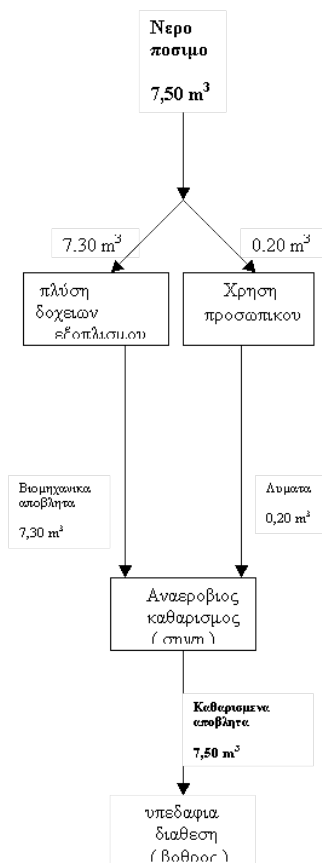
SYBILLA Ltd.
Managing Environment, Safety & Risk

16 Ypsilandou, Maroussi GR 151 22 Athens, Greece
Tel +30210-8024244 / Fax +30210-6141245
e-mail : mail@sybilla.gr



VAT No. EL 095487874

Traditional Creamery with a milk capacity of 3 TN/day, Environmental Impact Assessment Study



CONTRACTING ENTITY	CREAMERY «ZAGARIS SPYROS»
CONTRACT PRICE	CONFIDENTIAL
YEAR	2006
PROJECT TYPE	LIQUID WASTE PROCESSING AND DISPOSAL STUDY
LOCATION	ATHENS - MARATHONAS

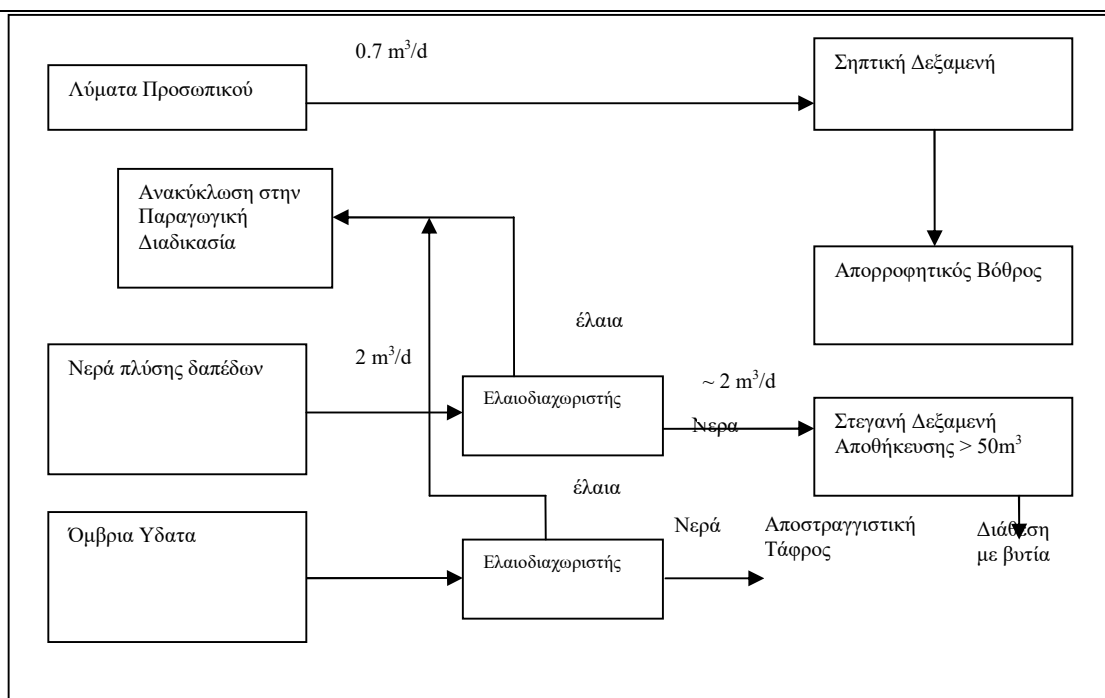
BIOFUELS Bio-fuel production Factory in Aliartos, Voiotia, Liquid Waste Processing and Disposal Study



SYBILLA Ltd.
Managing Environment, Safety & Risk

16 Ypsilandou, Maroussi GR 151 22 Athens, Greece
Tel +30210-8024244 / Fax +30210-6141245
e-mail : mail@sybilla.gr

VAT No. EL 095487874



CONTRACTING ENTITY	ARKO BIOFUELS
CONTRACT PRICE	CONFIDENTIAL
YEAR	2006
PROJECT TYPE	LIQUID WASTE PROCESSING AND DISPOSAL STUDY
LOCATION	ATHENS – VOIOTIA



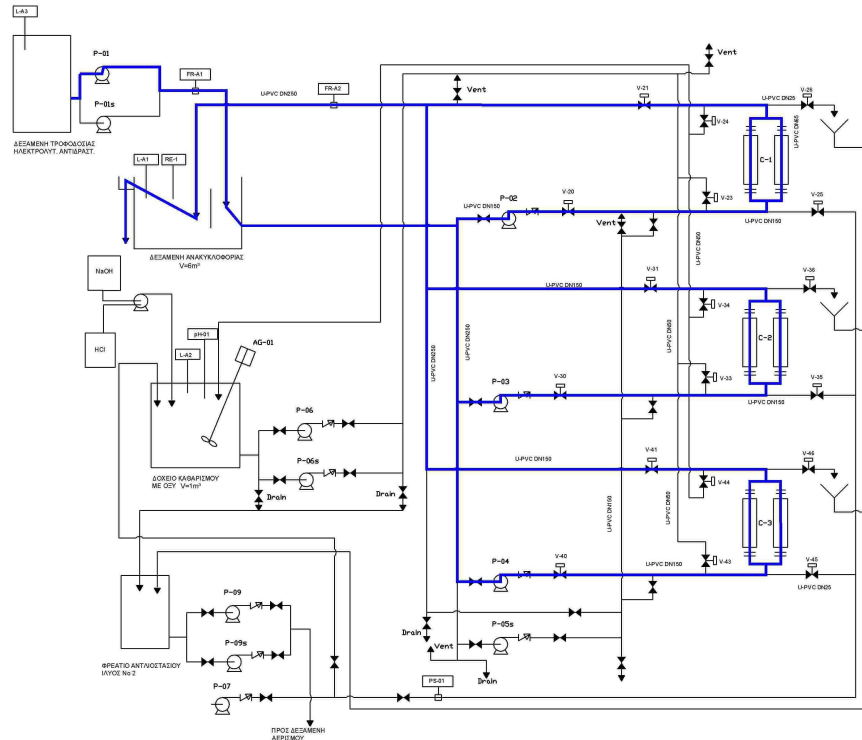
SYBILLA Ltd.
Managing Environment, Safety & Risk

16 Ypsilandou, Maroussi GR 151 22 Athens, Greece
 Tel +30210-8024244 / Fax +30210-6141245
 e-mail : mail@svbilla.gr



VAT No. EL 095487874

APPLIANCE STUDY MAIN PROJECT: ETVA-UIPE A.E
Project 1: Electrolytic Unit for third-grade processing of waste and processed waste disposal through irrigation or underground water enrichment
Project 2: Silt Purification Unit



CONTRACTING ENTITY	ETVA-UIPE AE/JOINT VENTURE T.E.K. THESSALONIKI A.E. – KELESIS
CONTRACT PRICE	CONFIDENTIAL
YEAR	2007
PROJECT TYPE	ENVIRONMENTAL IMPACT ASSESSMENT STUDY
LOCATION	ATHENS – CRETE



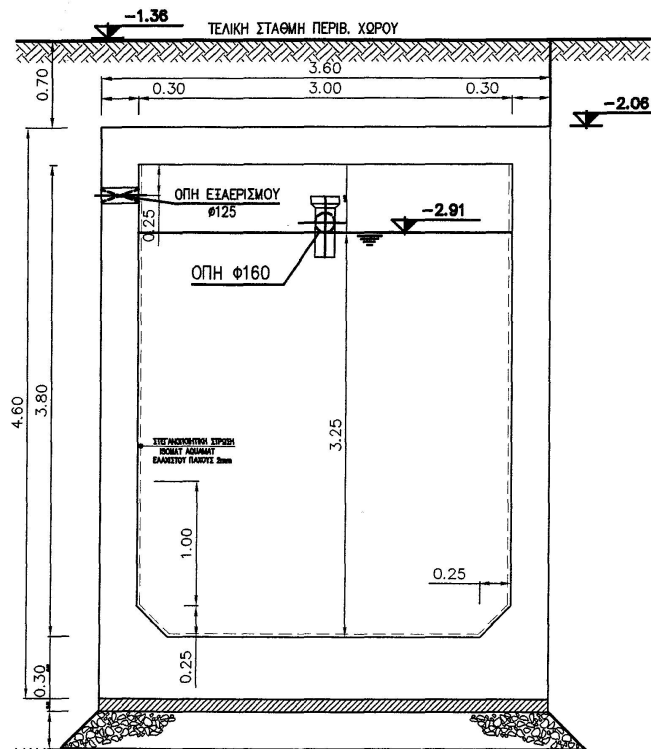
SYBILLA Ltd.
Managing Environment, Safety & Risk

16 Ypsilandou, Maroussi GR 151 22 Athens, Greece
Tel +30210-8024244 / Fax +30210-6141245
e-mail : mail@sybilla.gr



VAT No. EL 095487874

P. ATHANASIADIS AND CO AE "NAFTEMPORIKI" NEWSPAPER PRINTING UNIT IN KOROPi, ATTICA. LIQUID WASTE PROCESSING AND DISPOSAL UNIT



CONTRACTING ENTITY	P.ATHANASIADIS AND CO AE "NAFTEMPORIKI"
CONTRACT PRICE	CONFIDENTIAL
YEAR	2007
PROJECT TYPE	LIQUID WASTE PROCESSING AND DISPOSAL STUDY
LOCATION	ATHENS-ATTICA



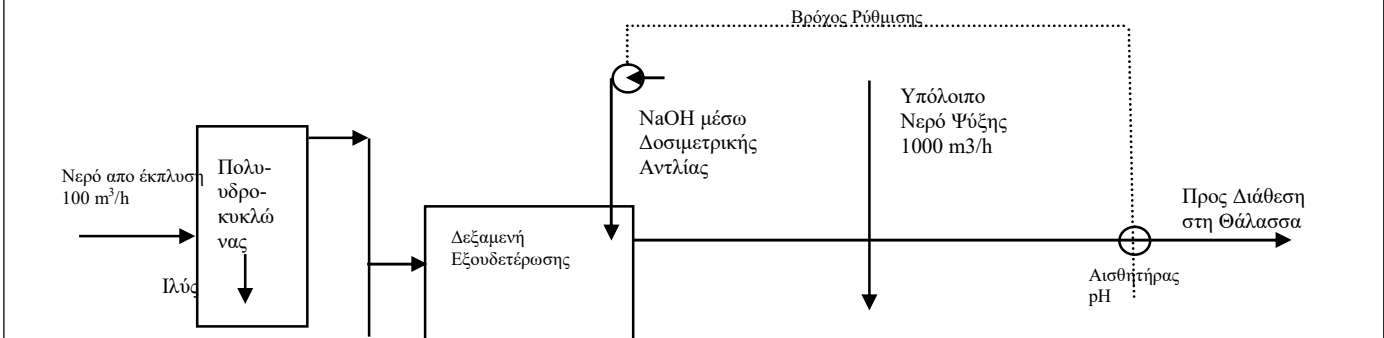
SYBILLA Ltd.
Managing Environment, Safety & Risk

16 Ypsilandou, Maroussi GR 151 22 Athens, Greece
Tel +30210-8024244 / Fax +30210-6141245
e-mail : mail@sybilla.gr



VAT No. EL 095487874

CERTIFIED AUTONOMOUS ENERGY PRODUCTION STATION LEMNOS, ENVIRONMENTAL PERMIT MODIFICATION DUE TO THE ADDITION OF NEW EXHAUST GAS SCRUBBING EQUIPMENT



CONTRACTING ENTITY	DEH AE/KITTIWAKE AE
CONTRACT PRICE	CONFIDENTIAL
YEAR	2007
PROJECT TYPE	ENVIRONMENTAL IMPACT ASSESSMENT STUDY
LOCATION	ATHENS –LEMNOS



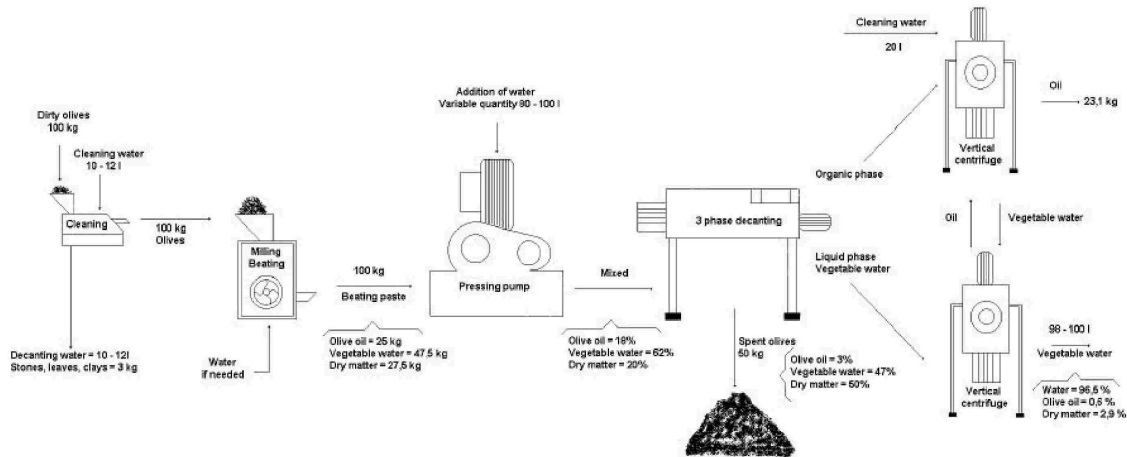
SYBILLA Ltd.
Managing Environment, Safety & Risk

16 Ypsilandou, Maroussi GR 151 22 Athens, Greece
 Tel +30210-8024244 / Fax +30210-6141245
 e-mail : mail@svbilla.gr



VAT No. EL 095487874

FEASIBILITY STUDY FOR THE DISPOSAL OF LIQUID WASTE OF THREE-PHASE OIL PRESSES



CONTRACTING ENTITY	ELAIOURGIKI A.E.
CONTRACT PRICE	CONFIDENTIAL
YEAR	2007
PROJECT TYPE	LIQUID WASTE PROCESSING AND DISPOSAL STUDY
LOCATION	ATHENS – HERAKLION CRETE-MESSINIA-CHALKIDIKI



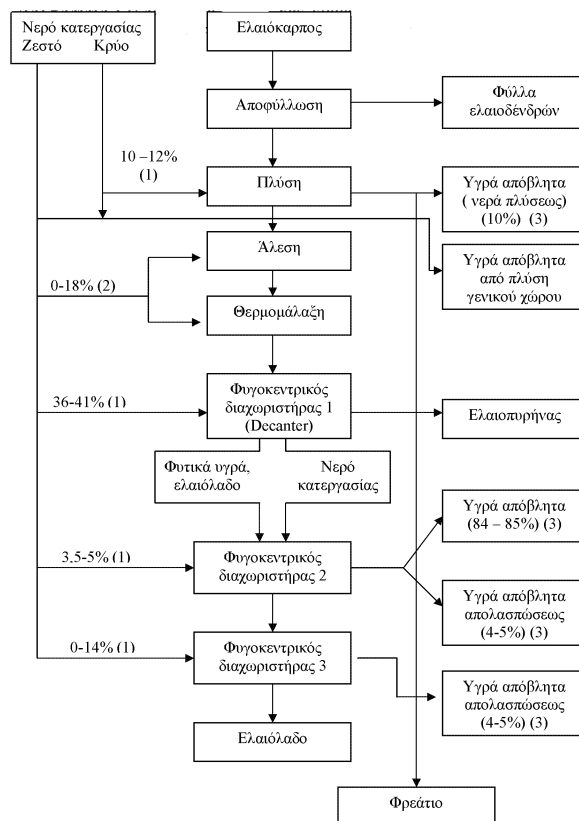
SYBILLA Ltd.
Managing Environment, Safety & Risk

16 Ypsilandou, Maroussi GR 151 22 Athens, Greece
 Tel +30210-8024244 / Fax +30210-6141245
 e-mail : mail@sybilla.gr



VAT No. EL 095487874

FEASIBILITY STUDY FOR THE DISPOSAL OF LIQUID WASTE OF THREE-PHASE OIL PRESSES A PHASE. UNIT AND TECHNOLOGY REGISTER



CONTRACTING ENTITY	ΕΛΑΙΟΥΡΓΙΚΗ Α.Ε.
CONTRACT PRICE	CONFIDENTIAL
YEAR	2007
PROJECT TYPE	LIQUID WASTE PROCESSING AND DISPOSAL STUDY
LOCATION	ATHENS – HERAKLION CRETE-MESSINIA-CHALKIDIKI



SYBILLA Ltd.
Managing Environment, Safety & Risk

16 Ypsilandou, Maroussi GR 151 22 Athens, Greece
Tel +30210-8024244 / Fax +30210-6141245
e-mail : mail@sybilla.gr



VAT No. EL 095487874

FEASIBILITY STUDY FOR THE DISPOSAL OF LIQUID WASTE OF THREE-PHASE OIL PRESSES B PHASE. OIL-PRESS LIQUID WASTE PHYSICAL AND CHEMICAL PARAMETERS



CONTRACTING ENTITY	ELAIOURGIKI A.E.
CONTRACT PRICE	CONFIDENTIAL
YEAR	2007
PROJECT TYPE	LIQUID WASTE PROCESSING AND DISPOSAL STUDY
LOCATION	ATHENS – HERAKLION CRETE-MESSINIA-CHALKIDIKI



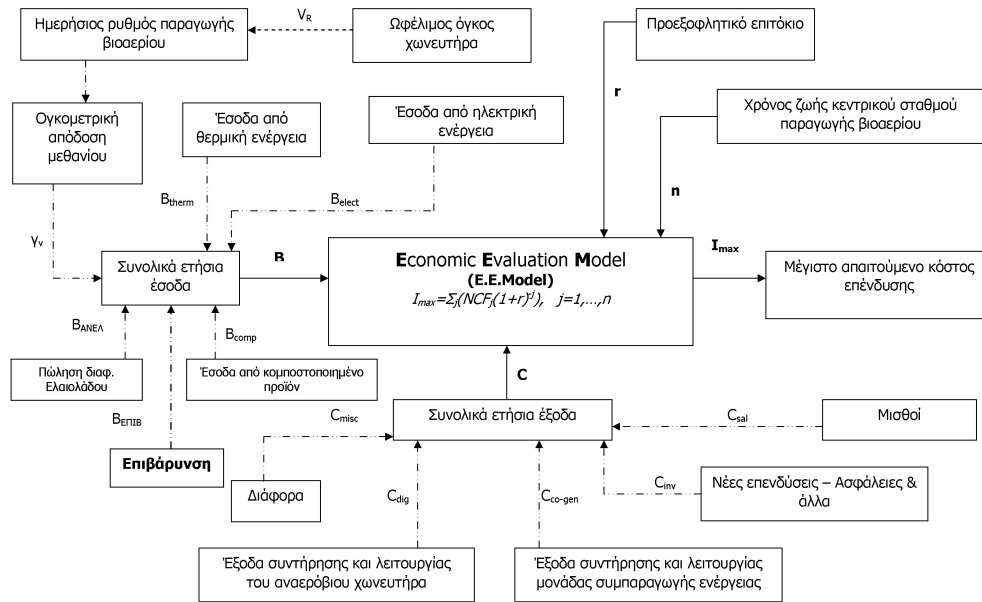
SYBILLA Ltd.
Managing Environment, Safety & Risk

16 Ypsilandou, Maroussi GR 151 22 Athens, Greece
 Tel +30210-8024244 / Fax +30210-6141245
 e-mail : mail@svbilla.gr



VAT No. EL 095487874

FEASIBILITY STUDY FOR THE DISPOSAL OF LIQUID WASTE OF THREE-PHASE OIL PRESSES C PHASE. ALTERNATIVE SOLUTIONS INVESTIGATION



CONTRACTING ENTITY	ΕΛΑΙΟΥΡΓΙΚΗ Α.Ε.
CONTRACT PRICE	CONFIDENTIAL
YEAR	2007
PROJECT TYPE	LIQUID WASTE PROCESSING AND DISPOSAL STUDY
LOCATION	ATHENS – HERAKLION CRETE-MESSINIA-CHALKIDIKI



SYBILLA Ltd.
Managing Environment, Safety & Risk

16 Ypsilandou, Maroussi GR 151 22 Athens, Greece
Tel +30210-8024244 / Fax +30210-6141245
e-mail : mail@sybilla.gr



VAT No. EL 095487874

LIQUID WASTE DISPOSAL FEASIBILITY STUDY IN LIGHT OF THE NEW CONDITIONS OF ASOPOS RIVER



CONTRACTING ENTITY	EUROPA PROFIL ALUMINUM AEBE
CONTRACT PRICE	CONFIDENTIAL
YEAR	2008
PROJECT TYPE	LIQUID WASTE DISPOSAL FEASIBILITY STUDY
LOCATION	ATHENS - OINOFYTA



SYBILLA Ltd.
Managing Environment, Safety & Risk

16 Ypsilandou, Maroussi GR 151 22 Athens, Greece
Tel +30210-8024244 / Fax +30210-6141245
e-mail : mail@sybilla.gr

VAT No. EL 095487874



EUROPA PROFIL ALUMINUM AEBE ENVIRONMENTAL IMPACT ASSESSMENT STUDY IN LIGHT OF THE NEW CONDITIONS OF ASOPOS RIVER



CONTRACTING ENTITY	EUROPA PROFIL ALUMINUM AEBE
CONTRACT PRICE	CONFIDENTIAL
YEAR	2008
PROJECT TYPE	ENVIRONMENTAL IMPACT ASSESSMENT STUDY
LOCATION	ATHENS - OINOFYTA

EUROPA PROFIL ALUMINUM AEBE LIQUID WASTE PROCESSING AND DISPOSAL STUDY IN LIGHT OF THE NEW CONDITIONS OF ASOPOS RIVER

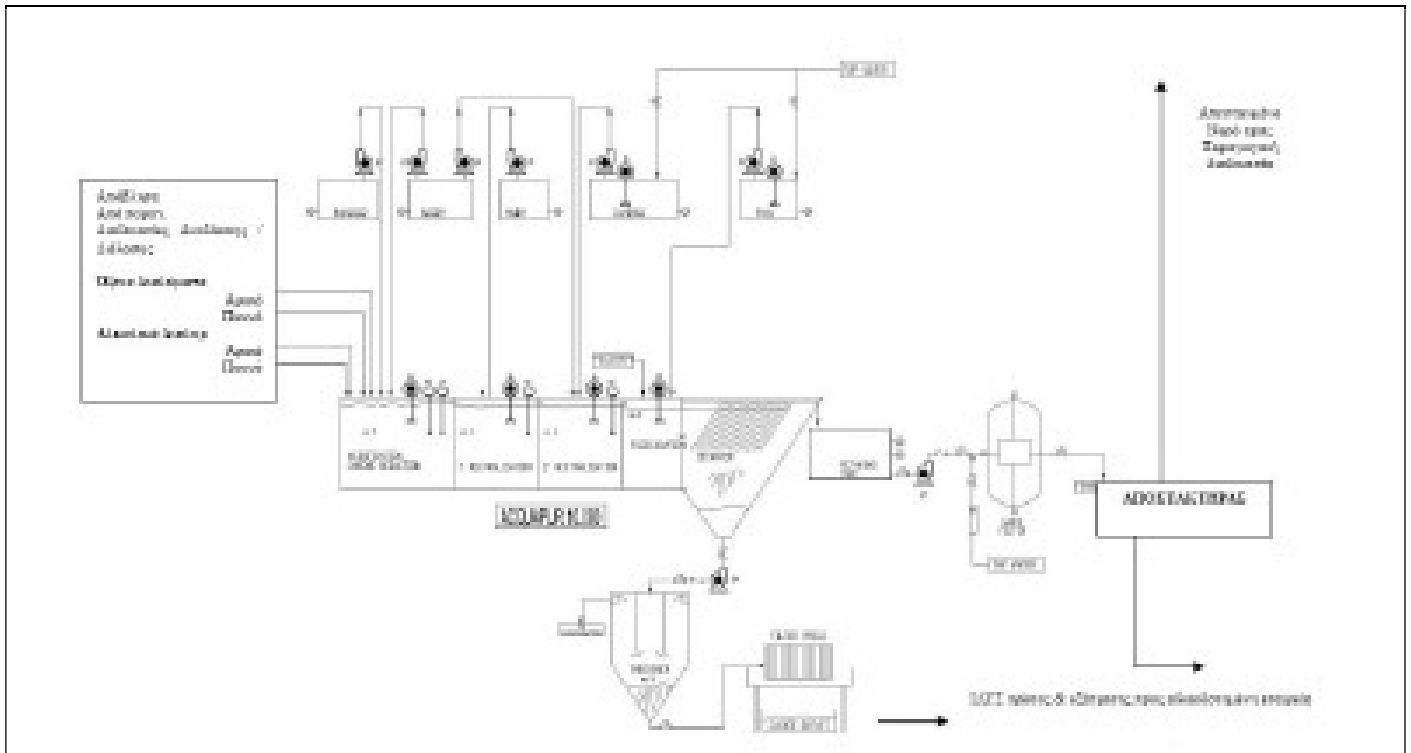


SYBILLA Ltd.
Managing Environment, Safety & Risk

16 Ypsilandou, Maroussi GR 151 22 Athens, Greece
 Tel +30210-8024244 / Fax +30210-6141245
 e-mail : mail@sybilla.gr



VAT No. EL 095487874



CONTRACTING ENTITY	EUROPA PROFIL ALUMINUM AEBE
CONTRACT PRICE	CONFIDENTIAL
YEAR	2009
PROJECT TYPE	LIQUID WASTE PROCESSING AND DISPOSAL STUDY
LOCATION	ATHENS - OINOFYTA



SYBILLA Ltd.
Managing Environment, Safety & Risk

16 Ypsilandou, Maroussi GR 151 22 Athens, Greece
Tel +30210-8024244 / Fax +30210-6141245
e-mail : mail@svbilla.gr



VAT No. EL 095487874

EUROPA PROFIL ALUMINUM AEBE HAZARDOUS INDUSTRIAL WASTE PROCESSING STUDY IN LIGHT OF THE NEW CONDITIONS OF ASOPOS RIVER



CONTRACTING ENTITY	EUROPA PROFIL ALUMINUM AEBE
CONTRACT PRICE	CONFIDENTIAL
YEAR	2009
PROJECT TYPE	HAZARDOUS INDUSTRIAL WASTE PROCESSING STUDY
LOCATION	ATHENS - OINOFYTA



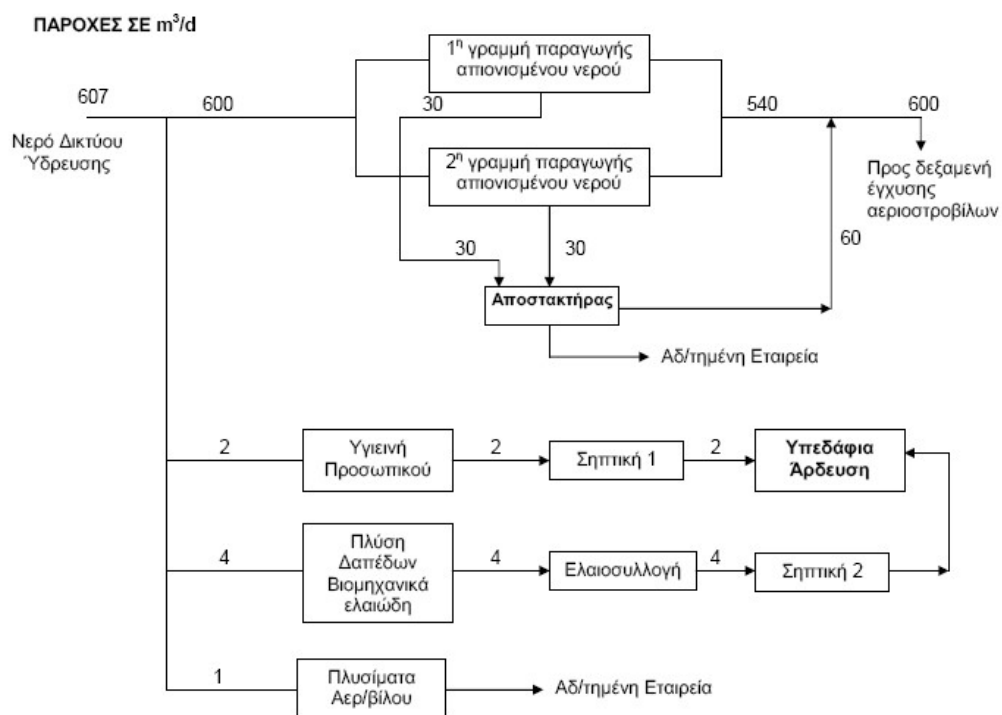
SYBILLA Ltd.
Managing Environment, Safety & Risk

16 Ypsilandou, Maroussi GR 151 22 Athens, Greece
Tel +30210-8024244 / Fax +30210-6141245
e-mail : mail@sybilla.gr



VAT No. EL 095487874

BLUE AEGEAN ENERGY AE Natural Gas Thermolectric Plant 147,9 MWe in Ag.Theodoroi, Corinthia. Liquid Waste Processing and Disposal Study



CONTRACTING ENTITY	BLUE AEGEAN ENERGY AE
CONTRACT PRICE	CONFIDENTIAL
YEAR	2009
PROJECT TYPE	LIQUID WASTE PROCESSING AND DISPOSAL STUDY
LOCATION	ATHENS - CORINTH



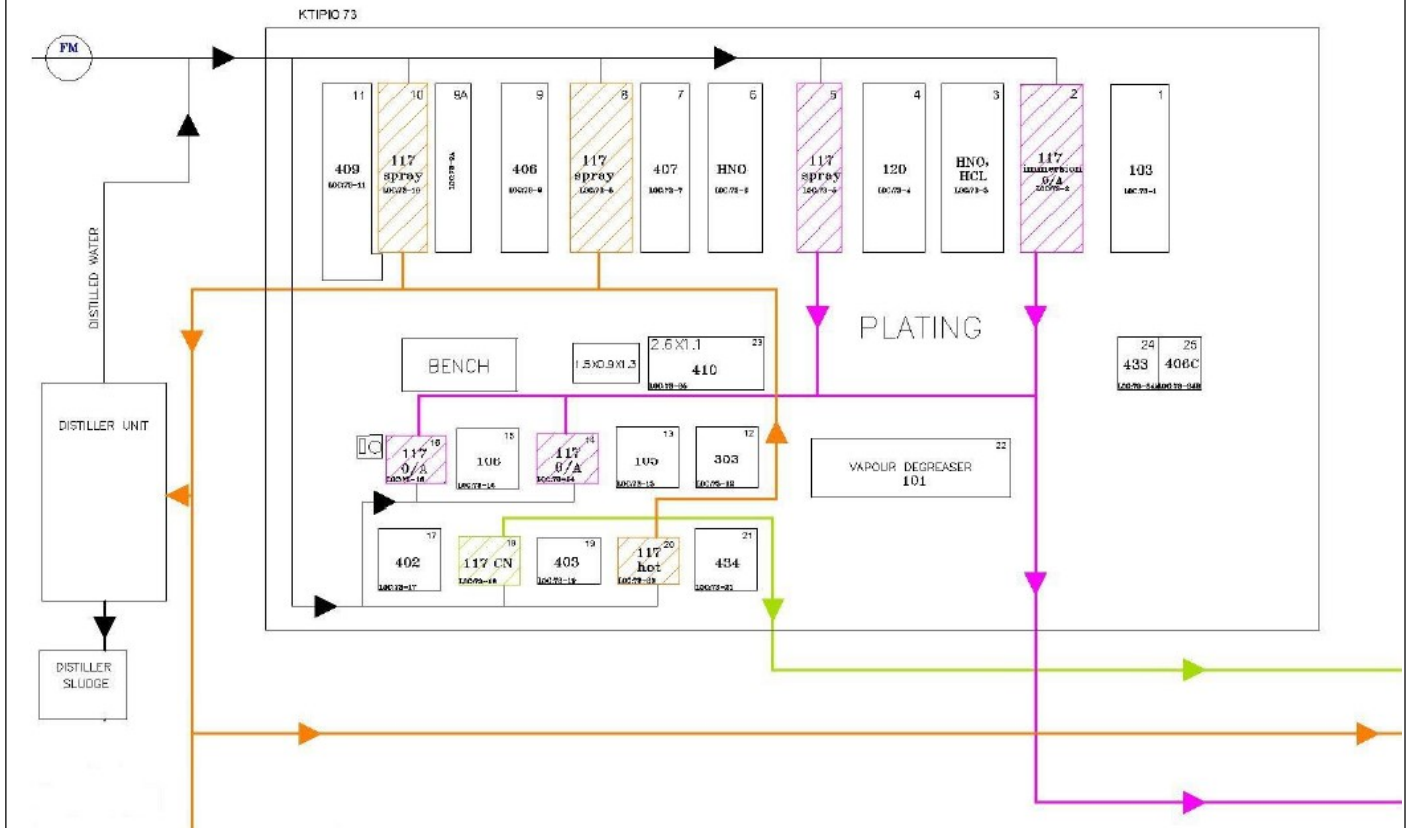
SYBILLA Ltd.
Managing Environment, Safety & Risk

16 Ypsilandou, Maroussi GR 151 22 Athens, Greece
 Tel +30210-8024244 / Fax +30210-6141245
 e-mail : mail@svbilla.gr



VAT No. EL 095487874

HELLENIC AEROSPACE INDUSTRY INSTALLATIONS, LIQUID WASTE PROCESSING AND DISPOSAL STUDY ACCORDING TO GOVERNMENT GAZZETE 749/B/31-05-2010/#20448 TO REACH MINIMUM POLLUTANT VALUES



CONTRACTING ENTITY	HELLENIC AEROSPACE INDUSTRY
CONTRACT PRICE	CONFIDENTIAL
YEAR	2010
PROJECT TYPE	LIQUID WASTE PROCESSING AND DISPOSAL STUDY
LOCATION	ATHENS - SCHIMATARI



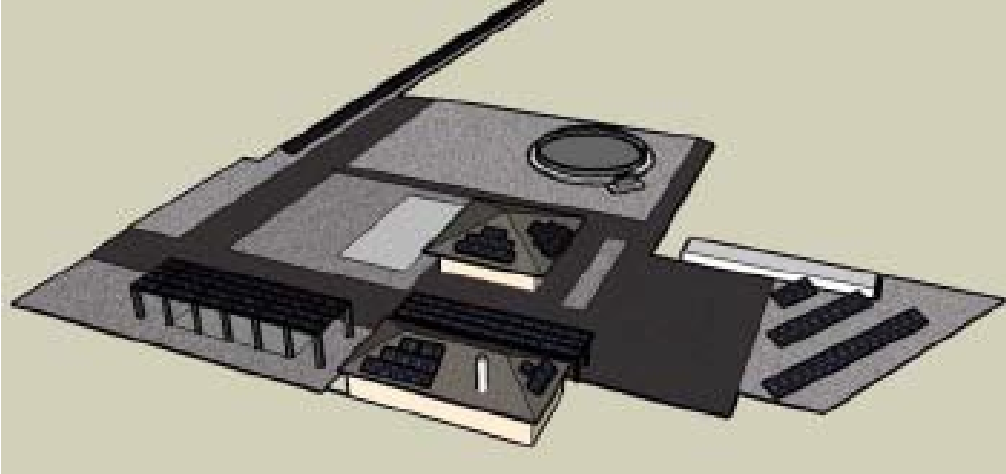
SYBILLA Ltd.
Managing Environment, Safety & Risk

16 Ypsilandou, Maroussi GR 151 22 Athens, Greece
Tel +30210-8024244 / Fax +30210-6141245
e-mail : mail@sybilla.gr



VAT No. EL 095487874

WASTE INSTALLATION CONSTRUCTION AND MAIN SEWER PIPELINES OF SERVIA AND PLATANOREMA, KOZANI. LIQUID WASTE PROCESSING AND DISPOSAL STUDY



CONTRACTING ENTITY	K/Ξ LAMDA TECHNICAL A.E. – MALLIONTA ATE
CONTRACT PRICE	CONFIDENTIAL
YEAR	2011
PROJECT TYPE	LIQUID WASTE PROCESSING AND DISPOSAL STUDY
LOCATION	ATHENS - KOZANI



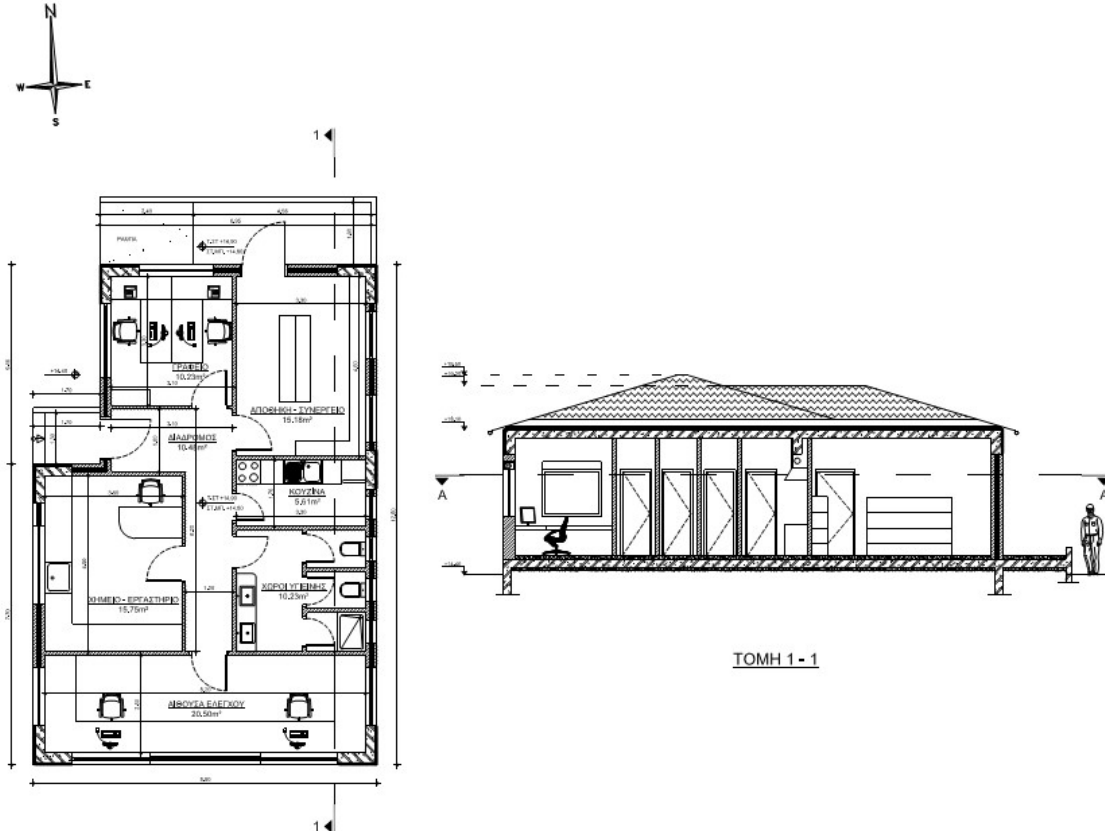
SYBILLA Ltd.
Managing Environment, Safety & Risk

16 Ypsilandou, Maroussi GR 151 22 Athens, Greece
 Tel +30210-8024244 / Fax +30210-6141245
 e-mail : mail@svbilla.gr



VAT No. EL 095487874

**MEGAS ALEKSANDROS PELLA WASTEWATER PROCESSING INSTALLATION,
 TECHNICAL STUDY OFFER**



CONTRACTING ENTITY	MACEDONIAN LINES ATE
CONTRACT PRICE	CONFIDENTIAL
YEAR	2014
PROJECT TYPE	PLANNING, CHEMICAL ENGINEERING AND LIQUID WASTE PROCESSING AND DISPOSAL STUDY
LOCATION	ATHENS – MEGAS ALEKSANDROS PELLA



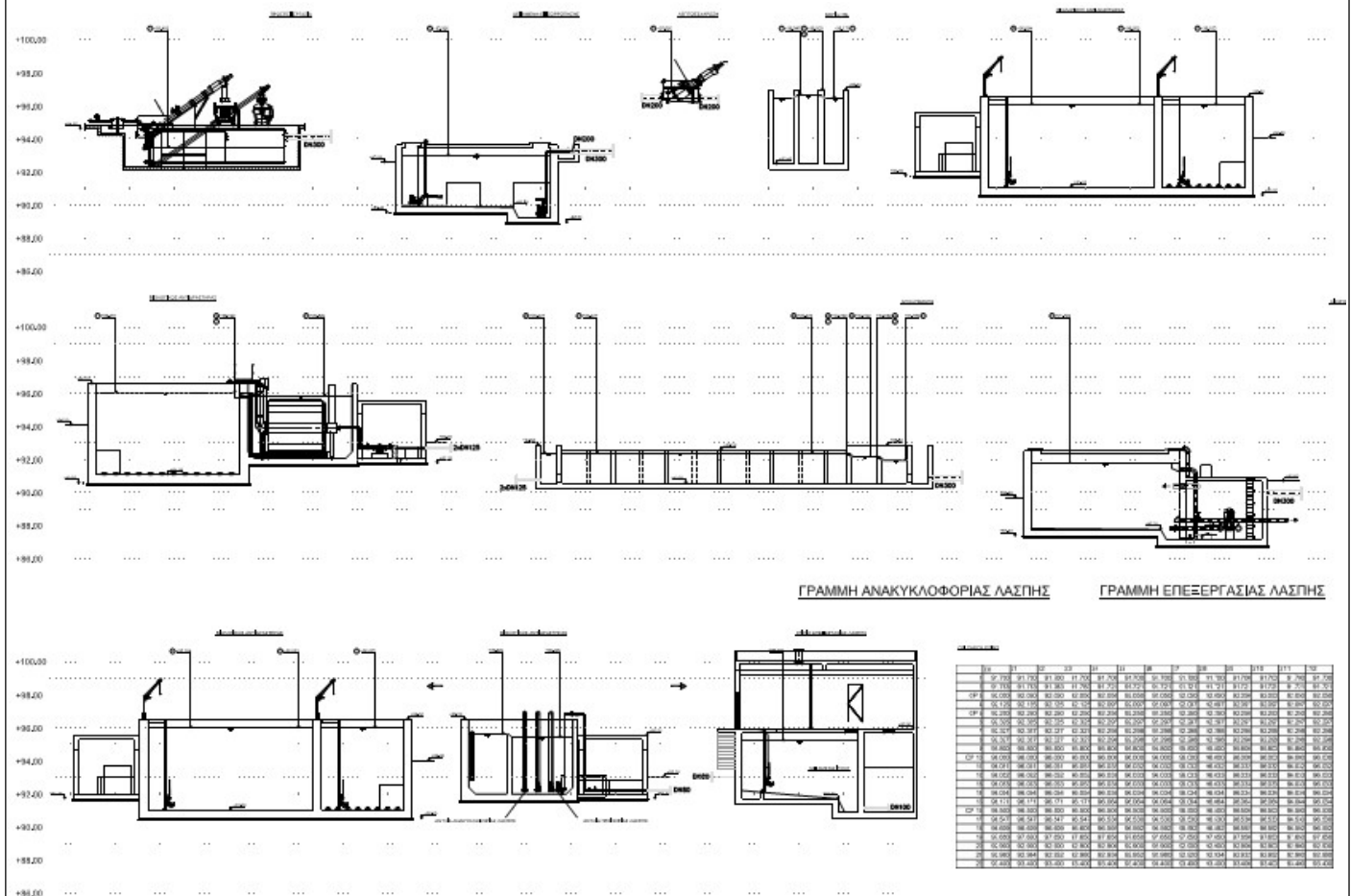
SYBILLA Ltd.
Managing Environment, Safety & Risk

16 Ypsilandou, Maroussi GR 151 22 Athens, Greece
 Tel +30210-8024244 / Fax +30210-6141245
 e-mail : mail@sybilla.gr



VAT No. EL 095487874

LEONIDIION, ARKADIA WASTEWATER PROCESSING INSTALLATION, TECHNICAL STUDY OFFER



CONTRACTING ENTITY	K/Ξ AXON TECHNICAL A.E. - ROMVOS A.E. ETE
CONTRACT PRICE	CONFIDENTIAL
YEAR	2015
PROJECT TYPE	PLANNING, CHEMICAL ENGINEERING AND LIQUID WASTE PROCESSING AND DISPOSAL STUDY
LOCATION	ATHENS – LEONIDIION